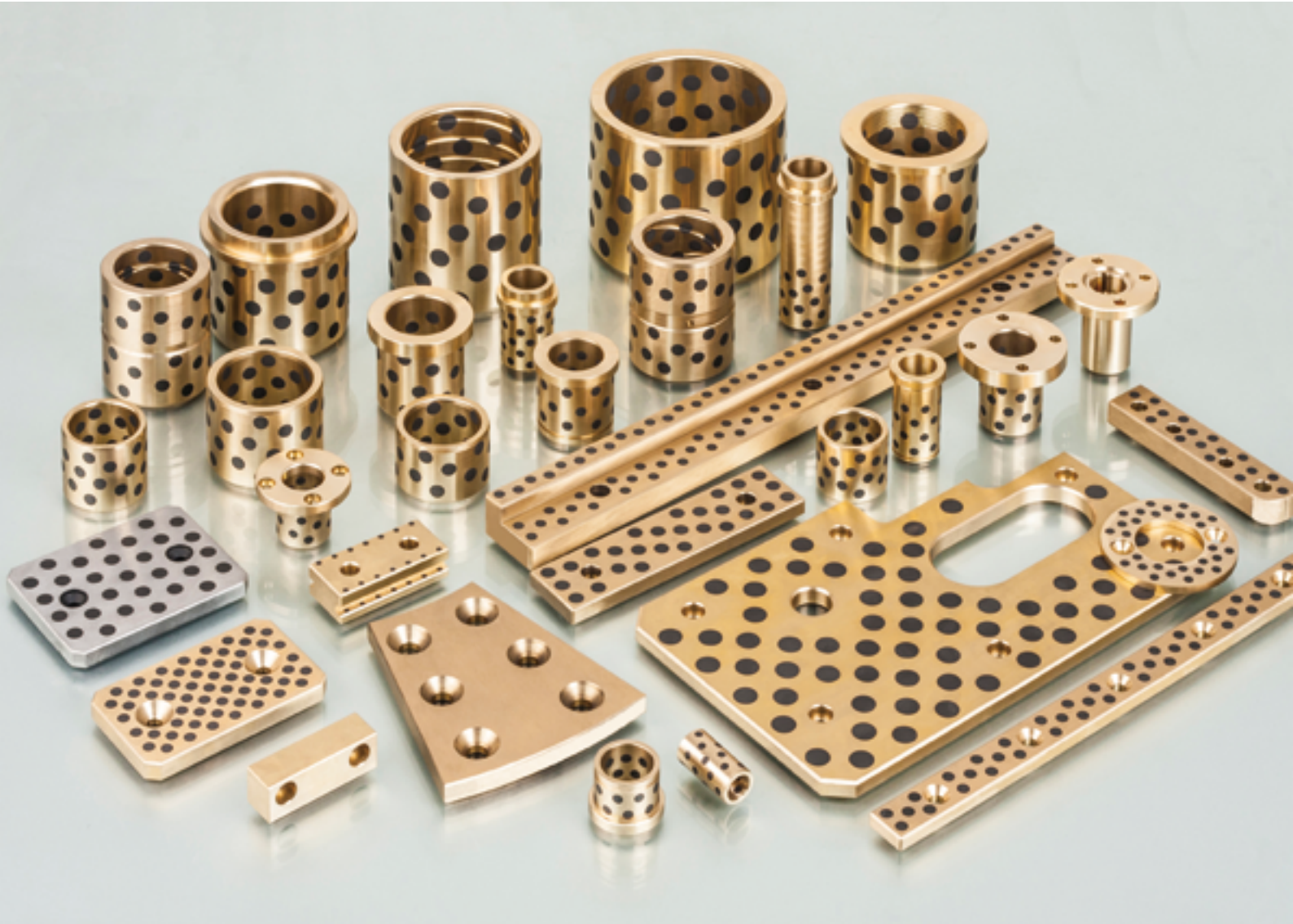


JDB 固体润滑轴承
JDB Solid-lubricating Bearings



JDB 固体润滑轴承
JDB Solid-lubricating Bearings

JDB 固体润滑轴承
JDB Solid-lubricating Bearings



JDB 固体润滑轴承
JDB Solid-lubricating Bearings



JDB 固体润滑轴承

JDB Solid-Lubricant Bearings

合金材料 Alloy Material

型号 Type 对应牌号 Corresponding Brands	JDB-1	JDB-2			JDB-3	JDB-4	JDB-5
国际牌号 GB1776-87 China Brands GB1776-87	ZCuZn25 Al6Fe3Mn3	ZCuSn6Zn6Pb3	ZCuAl10Fe3	ZCuSu10P1	钢+ ZCuSn6Zn6Pb3	HT250	GCr15
国际 ISO1338 International ISO1338	G-CuZn25 Al6Fe3Mn3	GCuSn6Zn6Pb3	GCuAl10Fe3	CuSn12	钢+ CuSn6Zn6Pb3Fe3Ni5	-	B1
德国 DIN Germany DIN	G-CuZn25 Al5	GB-CuSn5Zn5Pb5	GB-CuAl10Ni	GB-CuSn10	钢+ CuSn6Zn6Pb3Ni	-	100Cr6
日本 JIS Japan JIS	HBsC4	BC6	AIBC3	BC3	BC6	FC250	SUJ2
美国 ASTM/UNS America ASTM/UNS	C86300	C83600	C95500	C90800	C83600	Class40	52100
英国标准 (BS) England Standard	HTB2	LG2	AB1	PB4	LG2	-	-

技术参数 Technical Data

性能指标 Type Performance index	JDB-1	JDB-2	JDB-3	JDB-4	JDB-5
密度 Density	8	8.9	7.8	8.9	8
硬度 HB Hardness	≥ 210	≥ 70	≥ 150	≥ 75	≥ 235
抗拉强度 N/mm ² Tensile strength	≥ 750	≥ 250	≥ 500	≥ 270	≥ 800
屈服强度 N/mm ² Yield strength	≥ 450	≥ 90	≥ 260	≥ 150	≥ 450
延伸率 % Elongation	≥ 12	≥ 13	≥ 10	≥ 5	≥ 8
线胀系数 Linear coef. of thermal expansion	1.9 × 10 ⁻⁵ /°C	1.8 × 10 ⁻⁵ /°C	1.6 × 10 ⁻⁵ /°C	1.8 × 10 ⁻⁵ /°C	1.9 × 10 ⁻⁵ /°C
使用温度 Work temperature	-40~+300°C	-40~+400°C	-40~+400°C	-40~+400°C	-40~+300°C
最大动承载 N/mm ² Max. dynamic loading	100	60	50	70	120
最大线速度 (干) m/min Max. speed(Dry)	15	10	20	10	15
最大PV值(润滑) N/mm ² ·m/s Max. PV(Dry)	200	60	60	80	200
压缩变形 300N/mm ² Compressive deformation	< 0.01	< 0.05	< 0.04	< 0.05	< 0.005

JDB 固体润滑轴承

JDB Solid-Lubricant Bearings

材料合金化学成份 Alloy Chemical Compositions

化学元素 Chemical elements	JDB-1	JDB-2			JDB-3	JDB-4	JDB-5
Cu (%)	Rest	Rest			Rest	-	-
Sn (%)	-	6	-	10	6	-	-
Zn (%)	25	6	-	-	6	-	-
Ni (%)	-	-	-	-	-	-	-
Al (%)	6	-	10	-	-	-	-
Fe (%)	3	-	3	-	-	Rest	Rest
Mn (%)	3	-	-	-	-	0.905 - 1.3	0.20 - 0.40
Cr (%)	-	-	-	-	-	-	1.30 - 1.65
C (%)	-	-	-	-	-	2.5 - 4	0.95 - 1.05
Si (%)	-	-	-	-	-	1.0 - 1.3	0.15 - 0.35
Pb (%)	-	3	-	-	3	-	-

固体润滑剂 Solid Lubricants

固体润滑剂 Lubricant	高纯石墨+添加剂 SL1 Graphite	SL4+MoS ₂ PTFE+MoS ₂ +CF
特性 Features	很好的耐磨性和化学稳定性, 使用温度 < 400°C Good wear performance and chemical stability, temperature limit 400°C	极低的摩擦系数和很好的水润滑性, 使用温度 < 300°C Lowest friction coefficient and good water lubrication, temperature limit 300°C
典型用途 Typical application	应用于一般机械, 在大气中使用 Suit for general machines and under atmosphere	应用于水、海水润滑、如船舶 Suit for water and seawater lubricant, such as ship

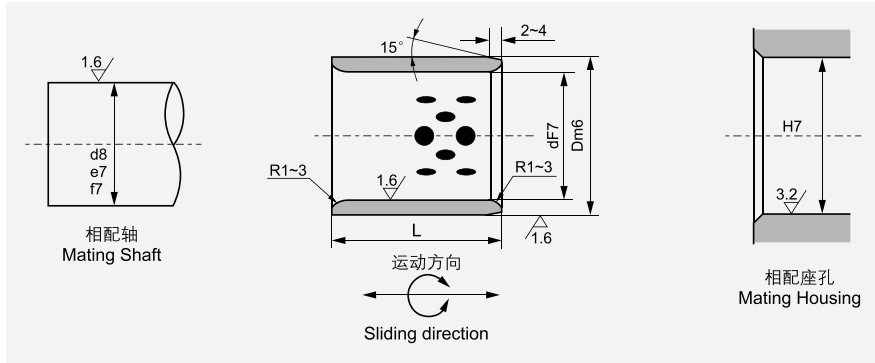
镶嵌式固体润滑轴承的优点

The Advantages of the Solid-lubricant-Embedded Bearings

- 1、无给油可使用
Dry operation.
- 2、高载荷、低转速的情况, 仍可发挥优越的性能
Can be Performed well with high load and low speed.
- 3、往返运动、摇摆运动、起动停止频繁等油膜形成困难的场所, 仍可发挥优越的耐磨性
Reciprocating motion, wagging motion, start and stop frequently are difficulty for keeping oil film. It still may play advantageous of wear-resistance.
- 4、优越的耐药品性及耐腐蚀性
Excellent chemical resistance and anti-corrosion.
- 5、设计灵活、简单、方便, 丰富的标准品, 可配标准轴心使用
Flexible, simple, convenient and abundant designing of standard, can be chosen by standard axes.

JDB-1 自润滑直套轴承标准公制尺寸

JDB-1 Self-lubricating Straight Bearings Standard Metric Size



单位Unit: mm²

d	D	d F7	D m6	L ^{-0.10} _{-0.30}														
				8	10	12	15	16	20	25	30	35	40	50	60	70	80	
8	12	8	12	081208	081210	081212	081215											
10	14	10	14	101408	101410	101412	101415	101416	101420									
12	18	12	18		121810	121812	121815	121816	121820	121825	121830							
13	19	13	19		131910	131912	131915	131916	131920	131925	131930							
14	20	14	20		142010	142012	142015	142016	142020	142025	142030							
15	21	15	21		152110	152112	152115	152116	152120	152125	152130	152135						
16	22	16	22		162210	162212	162215	162216	162220	162225	162230	162235	162240					
18	24	18	24		182410	182412	182415	182416	182420	182425	182430	182435	182440					
20	28	20	28		202810	202812	202815	202816	202820	202825	202830	202835	202840	202850				
22	32	22	32			223212	223215	223216	223220	223225	223230	223235	223240	223250				
25	33	25	33				253312	253315	253316	253320	253325	253330	253335	253340	253350	253360		
30	38	30	38				303812	303815	303816	303820	303825	303830	303835	303840	303850	303860		
35	45	35	45						354520	354525	354530	354535	354540	354550	354560	354570		
40	50	40	50						405020	405025	405030	405035	405040	405050	405060	405070	405080	
45	55	45	55								455530	455535	455540	455550	455560	455570	455580	
50	60	50	60								506030	506035	506040	506050	506060	506070	506080	

JDB-1 自润滑直套轴承标准公制尺寸

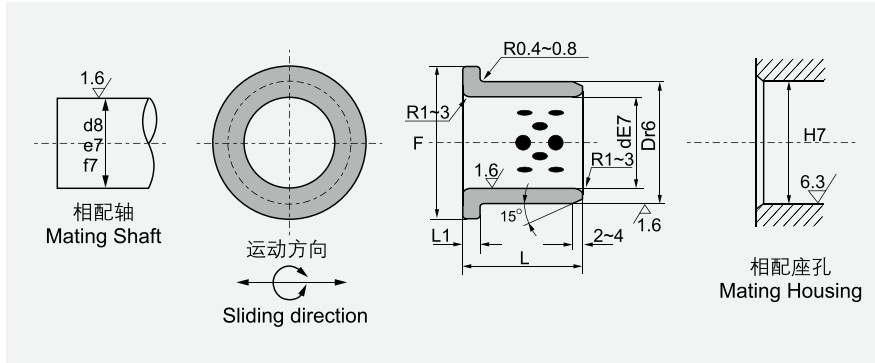
JDB-1 Self-lubricating Straight Bearings Standard Metric Size

 单位Unit: mm²

d	D	dF7	Dm6	-0.10 L -0.30												
				30	35	40	50	60	70	80	100	120	130	140	150	
50	62	50	62		506230	506235	506240	506250	506260	506270						
50	65	50			+0.050 +0.025	65	506530	506535	506540	506550	506560	506570	506580	5065100		
55	70	55	70		557030	557035	557040	557050	557060	557070	557080	5570100				
60	74	60			+0.030 +0.011	75	607430	607435	607440	607450	607460	607470	607480	6074100		
60	75	60	75		607530	607535	607540	607550	607560	607570	607580	6075100				
63	75	63			637535	637540	637550	637560	637570	637580	6375100					
65	80	65	80		658035	658040	658050	658060	658070	658080	6580100					
70	85	70			+0.060 +0.030	85	708535	708540	708550	708560	708570	708580	7085100			
70	90	70	90		709035	709040	709050	709060	709070	709080	7090100					
75	90	75			759040	759050	759060	759070	759080	7590100						
75	95	75	95		759540	759550	759560	759570	759580	7595100	7595120					
80	96	80			+0.035 +0.013	96	809640	809650	809660	809670	809680	8096100	8096120	8096130		
80	100	80	100		8010040	8010050	8010060	8010070	8010080	80100100	80100120	80100130	80100140			
90	110	90			9011050	9011060	9011070	9011080	90110100	90110120	90110130	90110140				
100	120	100	120		10012060	10012070	10012080	100120100	100120120	100120130	100120140					
110	130	110			+0.071 +0.036	130	11013080	110130100	110130120	110130130	110130140					
120	140	120	140		12014080	120140100	120140120	120140130	120140140							
125	145	125			125145100	125145120	125145130	125145140								
130	150	130	150		130150100	130150120	130150130	130150140	130150150							
140	160	140			+0.083 +0.043	160	140160100	140160120	140160130	140160140	140160150					
150	170	150	170		150170100	150170120	150170130	150170140	150170150							
160	180	160			+0.040 +0.015	180	160180100	160180120	160180130	160180140	160180150					

JFB 自润滑翻边轴承标准公制尺寸

JFB Self-lubricating Flange Bearings Standard Metric Size

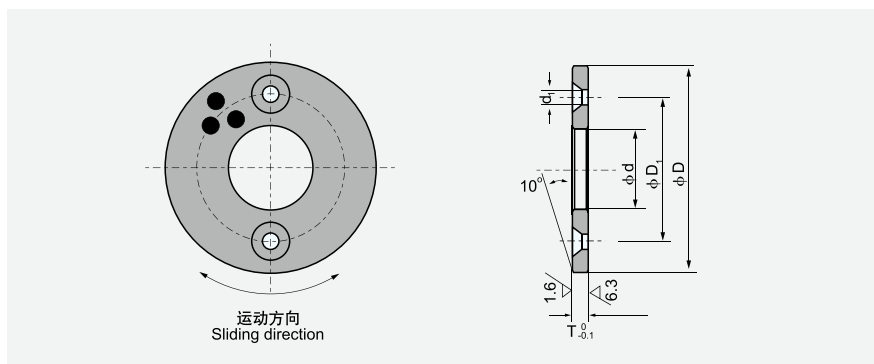


单位Unit: mm²

d	D	d E7	D r6	F	L ₁	L ^{-0.10} L ^{-0.30}												
						15	20	25	30	35	40	50	60	80	100			
10	14	10	14	22	2	1015	1020											
12	18	12	18	25	3	1215	1220											
13	19	13	19	26		1315	1320											
14	20	14	20	27		1415	1420	1425										
15	21	15	21	28		1515	1520	1525	1530									
16	22	16	22	29		1615	1620	1625	1630									
20	30	20	30	40		5		2020	2025	2030	2035							
25	35	25	35	45			2520	2525	2530	2535	2540							
30	40	30	40	50			3020	3025	3030	3035	3040	3050						
35	45	35	45	60				3525	3530	3535	3540	3550						
40	50	40	50	65					4030	4035	4040	4050						
45	55	45	55	70					4530	4535	4540	4550	4560					
50	60	50	60	75						5035	5040	5050	5060					
55	65	55	65	80							5540	5550	5560					
60	75	60	75	90	7.5						6040	6050	6060	6080				
70	85	70	85	105									7050	7060	7080			
75	90	75	90	110								7550	7560	7580	75100			
80	100	80	100	120	10									8060	8080	80100		
90	110	90	110	130											9060	9080	90100	
100	120	100	120	150											10060	10080	100100	
120	140	120	140	170											12060	12080	120100	

JTW 自润滑止推垫片标准公制尺寸

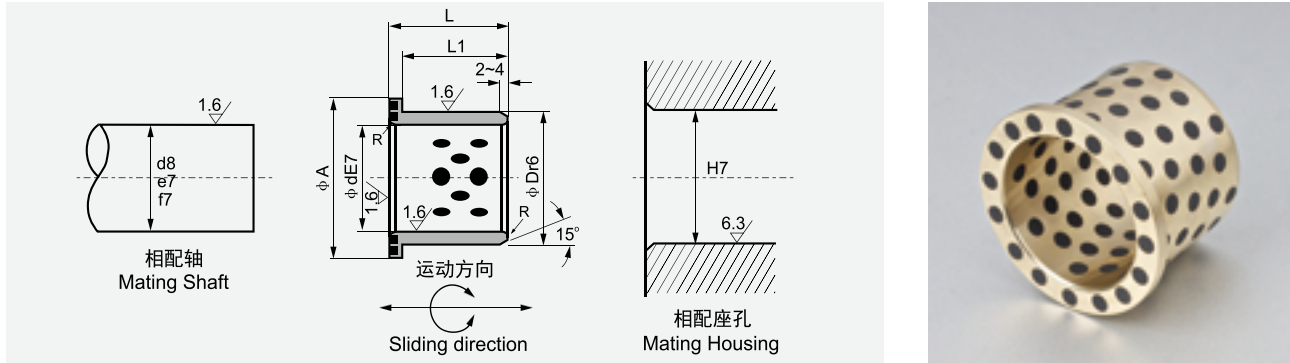
JTW Self-lubricating Thrust Washer Standard Metric Size


 单位Unit: mm²

型号规格 Standard No.	φ d	φ D	T	螺孔 Bolt Hole			
				φ D ₁	平头螺钉 Crop Bolt	φ d ₁	孔数 Bore Number
JDB-JTW-10	10.2	30	3	20	M3	3.5	2
JDB-JTW-12	12.2	40	"	28	"	"	"
JDB-JTW-13	13.2	"	"	"	"	"	"
JDB-JTW-14	14.2	"	"	"	"	"	"
JDB-JTW-15	15.2	50	"	35	"	"	"
JDB-JTW-16	16.2	"	"	"	"	"	"
JDB-JTW-18	18.2	"	"	"	"	"	"
JDB-JTW-20	20.2	"	5	"	M5	6	"
JDB-JTW-25	25.2	55	"	40	"	"	"
JDB-JTW-30	30.2	60	"	45	"	"	"
JDB-JTW-35	35.2	70	"	50	M6	7	"
JDB-JTW-40	40.2	80	7	60	"	"	"
JDB-JTW-45	45.3	90	"	70	"	"	"
JDB-JTW-50	50.3	100	8	75	"	"	4
JDB-JTW-55	55.3	110	"	85	"	"	"
JDB-JTW-60	60.3	120	"	90	M8	9	"
JDB-JTW-65	65.3	125	"	95	"	"	"
JDB-JTW-70	70.3	130	10	100	"	"	"
JDB-JTW-75	75.3	140	"	110	"	"	"
JDB-JTW-80	80.3	150	"	120	"	"	"
JDB-JTW-90	90.5	170	"	140	M10	11	"
JDB-JTW-100	100.5	190	"	160	"	"	"
JDB-JTW-120	120.5	200	"	175	"	"	"

JFBB 自润滑翻边轴套标准公制尺寸

JFBB Self-lubricant Flange Bushings Standard Metric Size

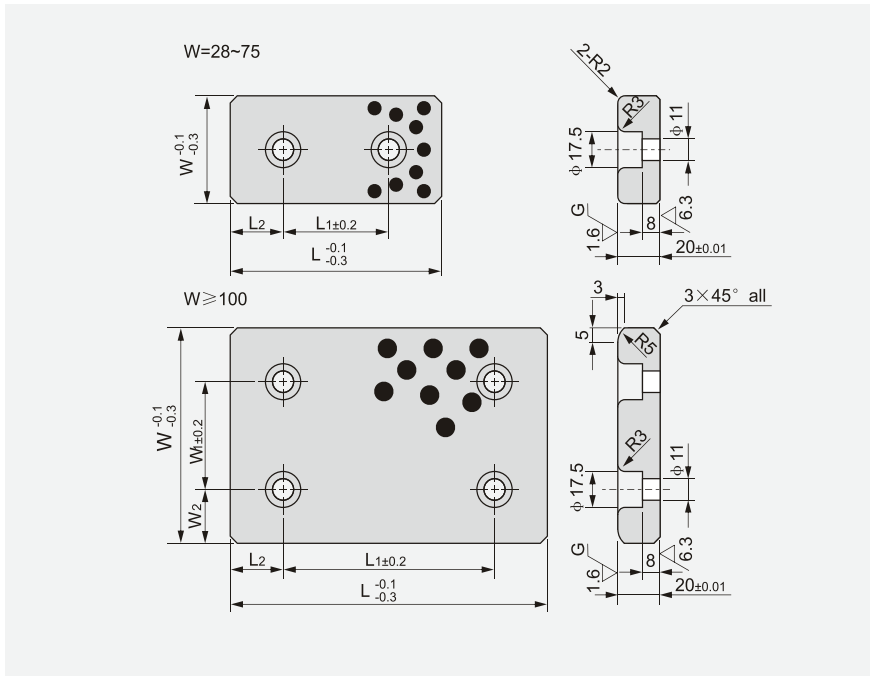


单位Unit:mm²

型号规格 Standard No.	φ d E7		φ D r6		φ A	L1	L
JDB-JFBB-12 × 15	12	+0.050 +0.032	18	+0.034 +0.023	25	11	15
JDB-JFBB-16 × 20	16	"	22	+0.041 +0.028	30	15	20
JDB-JFBB-20 × 25	20	+0.061 +0.040	28	"	36	20	25
JDB-JFBB-25 × 30	25	"	33	+0.050 +0.034	43	25	30
JDB-JFBB-30 × 35	30	+0.075 +0.050	38	"	48	30	35
JDB-JFBB-40 × 45	40	"	50	"	60	40	45
JDB-JFBB-50 × 55	50	"	62	+0.060 +0.041	75	49	55
JDB-JFBB-60 × 65	60	+0.090 +0.060	74	+0.062 +0.043	90	58	65

JESW 自润滑板

JESW Oilless Wear Plate

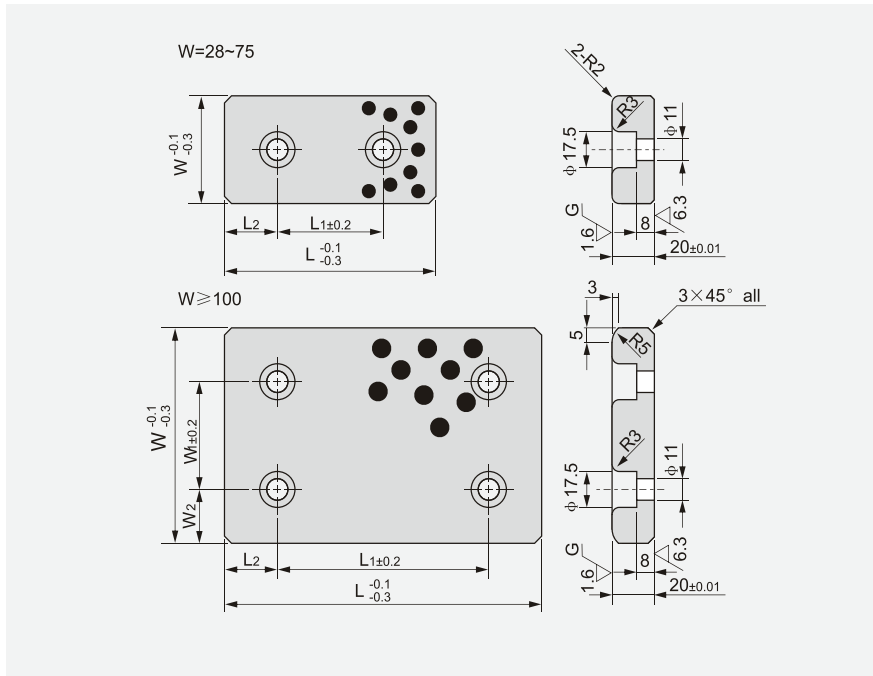


型号规格 Standard No.	W	L	W ₁	W ₂	L ₁	L ₂
JESW-28 × 75	28	75	-	-	45	15
JESW-28 × 100	"	100	"	"	50	25
JESW-28 × 150	"	150	"	"	100	"
JESW-38 × 75	38	75	"	"	45	15
JESW-38 × 100	"	100	"	"	50	25
JESW-38 × 150	"	150	"	"	100	"
JESW-48 × 75	48	75	"	"	45	15
JESW-48 × 100	"	100	"	"	50	25
JESW-48 × 125	"	125	"	"	75	"
JESW-48 × 150	"	150	"	"	100	"
JESW-48 × 200	"	200	"	"	150	"
JESW-58 × 75	58	75	"	"	45	15
JESW-58 × 100	"	100	"	"	50	25
JESW-58 × 150	"	150	"	"	100	"
JESW-75 × 75	75	75	"	"	25	"
JESW-75 × 100	"	100	"	"	50	"
JESW-75 × 125	"	125	"	"	75	"
JESW-75 × 150	"	150	"	"	100	"
JESW-75 × 200	"	200	"	"	150	"

型号规格 Standard No.	W	L	W ₁	W ₂	L ₁	L ₂
JESW-100 × 100	100	100	50	25	50	25
JESW-100 × 125	"	125	"	"	75	"
JESW-100 × 150	"	150	"	"	100	"
JESW-100 × 200	"	200	"	"	150	"
JESW-100 × 250	"	250	"	"	200	"
JESW-100 × 300	"	300	"	"	"	50
JESW-125 × 125	125	125	"	37.5	75	25
JESW-125 × 150	"	150	"	"	100	"
JESW-125 × 200	"	200	"	"	150	"
JESW-125 × 250	"	250	"	"	200	"
JESW-125 × 300	"	300	"	"	"	50
JESW-125 × 350	"	350	"	"	"	75
JESW-150 × 150	150	150	100	25	100	25
JESW-150 × 200	"	200	"	"	150	"
JESW-150 × 250	"	250	"	"	200	"

JESW 自润滑板标准公制尺寸

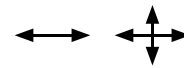
JESW Self-lubricant Oilless Wear Plate Standard Metric Size



Sliding directions

运动方向

W=28·38 W≥48



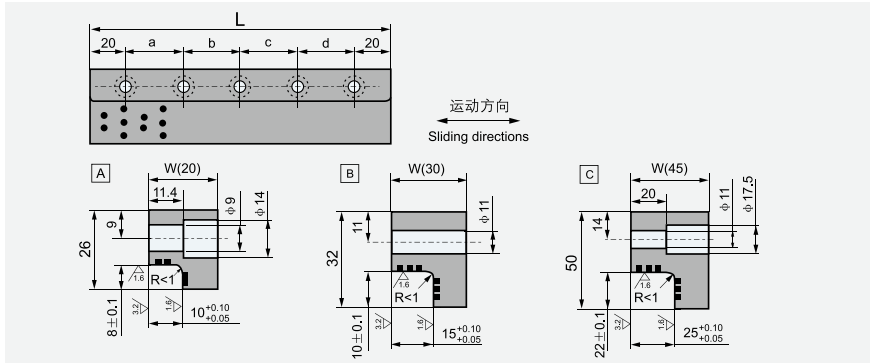
Material	650# + Graphite
材质	高力黄铜 + 石墨

型号规格 Standard No.	W	L	W ₁	W ₂	L ₁	L ₂
JESW-28 × 75	28	75	-	-	45	15
JESW-28 × 100	"	100	"	"	50	25
JESW-28 × 150	"	150	"	"	100	"
JESW-38 × 75	38	75	"	"	45	15
JESW-38 × 100	"	100	"	"	50	25
JESW-38 × 150	"	150	"	"	100	"
JESW-48 × 75	48	75	"	"	45	15
JESW-48 × 100	"	100	"	"	50	25
JESW-48 × 125	"	125	"	"	75	"
JESW-48 × 150	"	150	"	"	100	"
JESW-48 × 200	"	200	"	"	150	"
JESW-58 × 75	58	75	"	"	45	15
JESW-58 × 100	"	100	"	"	50	25
JESW-58 × 150	"	150	"	"	100	"
JESW-75 × 75	75	75	"	"	25	"
JESW-75 × 100	"	100	"	"	50	"
JESW-75 × 125	"	125	"	"	75	"
JESW-75 × 150	"	150	"	"	100	"
JESW-75 × 200	"	200	"	"	150	"

型号规格 Standard No.	W	L	W ₁	W ₂	L ₁	L ₂
JESW-100 × 100	100	100	50	25	50	25
JESW-100 × 125	"	125	"	"	75	"
JESW-100 × 150	"	150	"	"	100	"
JESW-100 × 200	"	200	"	"	150	"
JESW-100 × 250	"	250	"	"	200	"
JESW-100 × 300	"	300	"	"	"	50
JESW-125 × 125	125	125	"	37.5	75	25
JESW-125 × 150	"	150	"	"	100	"
JESW-125 × 200	"	200	"	"	150	"
JESW-125 × 250	"	250	"	"	200	"
JESW-125 × 300	"	300	"	"	"	50
JESW-125 × 350	"	350	"	"	"	75
JESW-150 × 150	150	150	100	25	100	25
JESW-150 × 200	"	200	"	"	150	"
JESW-150 × 250	"	250	"	"	200	"

JSP 滑板标准公制尺寸

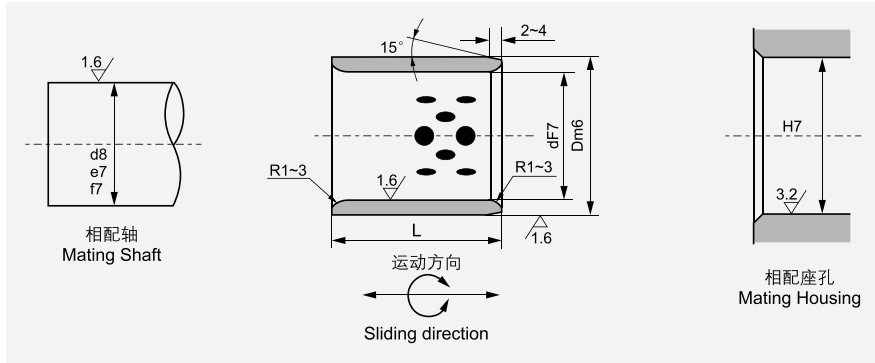
JSP Wear Plate Standard Metric Size


 单位Unit: mm²

型号规格 Standard No.	W	L	螺孔 Bolt Hole				螺孔 Size	数量 Q'ty	图示 Sketch
			a	b	c	d			
JDB-JSP-20 × 100	20	100	60	—	—	—	M8	2	A
JDB-JSP-20 × 150		150	55	55	—	—		3	
JDB-JSP-20 × 200		200	55	50	55	—		4	
JDB-JSP-30 × 100	30	100	60	—	—	—	M10	2	B
JDB-JSP-30 × 150		150	55	55	—	—		3	
JDB-JSP-30 × 200		200	55	50	55	—		4	
JDB-JSP-30 × 250		250	70	70	70	—		4	
JDB-JSP-45 × 200	45	200	55	50	55	—		4	C
JDB-JSP-45 × 250		250	70	70	70	—		4	
JDB-JSP-45 × 300		300	65	65	65	65		5	
JDB-JSP-45 × 350		350	80	75	75	80		5	

JDB-2 自润滑直套轴承标准公制尺寸

JDB-2 Self-lubricating Straight Bearings Standard Metric Size



单位Unit: mm²

d	D	d F7	D m6	L ^{-0.10} _{-0.30}													
				8	10	12	15	16	20	25	30	35	40	50	60	70	80
8	12	8	12	081208	081210	081212	081215										
10	14	10	14	101408	101410	101412	101415	101416	101420								
12	18	12	18		121810	121812	121815	121816	121820	121825	121830						
13	19	13	19		131910	131912	131915	131916	131920	131925	131930						
14	20	14	20		142010	142012	142015	142016	142020	142025	142030						
15	21	15	21		152110	152112	152115	152116	152120	152125	152130	152135					
16	22	16	22		162210	162212	162215	162216	162220	162225	162230	162235	162240				
18	24	18	24		182410	182412	182415	182416	182420	182425	182430	182435	182440				
20	28	20	28		202810	202812	202815	202816	202820	202825	202830	202835	202840	202850			
22	32	22	32			223212	223215	223216	223220	223225	223230	223235	223240	223250			
25	33	25	33			253312	253315	253316	253320	253325	253330	253335	253340	253350	253360		
30	38	30	38			303812	303815	303816	303820	303825	303830	303835	303840	303850	303860		
35	45	35	45						354520	354525	354530	354535	354540	354550	354560	354570	
40	50	40	50						405020	405025	405030	405035	405040	405050	405060	405070	405080
45	55	45	55								455530	455535	455540	455550	455560	455570	455580
50	60	50	60								506030	506035	506040	506050	506060	506070	506080

JDB-2 自润滑直套轴承标准公制尺寸

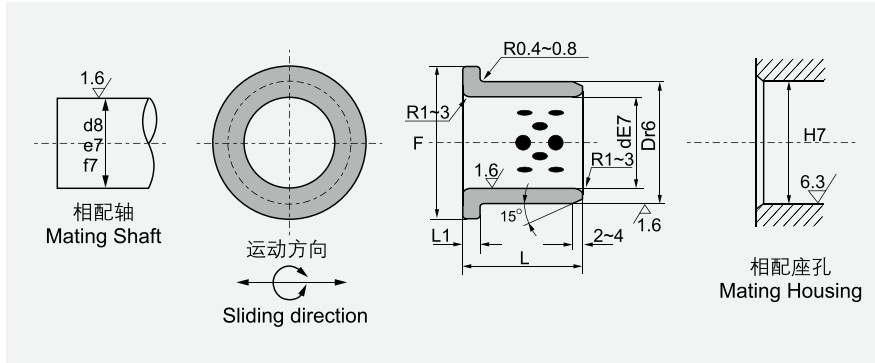
JDB-2 Self-lubricating Straight Bearings Standard Metric Size

 单位Unit: mm²

d	D	dF7	Dm6	-0.10 L -0.30													
				30	35	40	50	60	70	80	100	120	130	140	150		
50	62	50	62		506230	506235	506240	506250	506260	506270							
		^{+0.050} / _{+0.025}															
50	65	50	65		506530	506535	506540	506550	506560	506570	506580	5065100					
55	70	55	70		557030	557035	557040	557050	557060	557070	557080	5570100					
60	74	60	75	^{+0.030} / _{+0.011}	607430	607435	607440	607450	607460	607470	607480	6074100					
60	75	60	75		607530	607535	607540	607550	607560	607570	607580	6075100					
63	75	63	75			637535	637540	637550	637560	637570	637580	6375100					
65	80	65	80			658035	658040	658050	658060	658070	658080	6580100					
70	85	70	85	^{+0.060} / _{+0.030}		708535	708540	708550	708560	708570	708580	7085100					
70	90	70	90			709035	709040	709050	709060	709070	709080	7090100					
75	90	75	90				759040	759050	759060	759070	759080	7590100					
75	95	75	95				759540	759550	759560	759570	759580	7595100	7595120				
80	96	80	96	^{+0.035} / _{+0.013}			809640	809650	809660	809670	809680	8096100	8096120	8096130			
80	100	80	100				8010040	8010050	8010060	8010070	8010080	80100100	80100120	80100130	80100140		
90	110	90	110					9011050	9011060	9011070	9011080	90110100	90110120	90110130	90110140		
100	120	100	120	^{+0.071} / _{+0.036}					10012060	10012070	10012080	100120100	100120120	100120130	100120140		
110	130	110	130								11013080	110130100	110130120	110130130	110130140		
120	140	120	140								12014080	120140100	120140120	120140130	120140140		
125	145	125	145									125145100	125145120	125145130	125145140		
130	150	130	150	^{+0.040} / _{+0.015}								130150100	130150120	130150130	130150140	130150150	
140	160	140	160	^{+0.083} / _{+0.043}								140160100	140160120	140160130	140160140	140160150	
150	170	150	170									150170100	150170120	150170130	150170140	150170150	
160	180	160	180									160180100	160180120	160180130	160180140	160180150	

JFB 自润滑翻边轴承标准公制尺寸

JFB Self-lubricating Flange Bearings Standard Metric Size

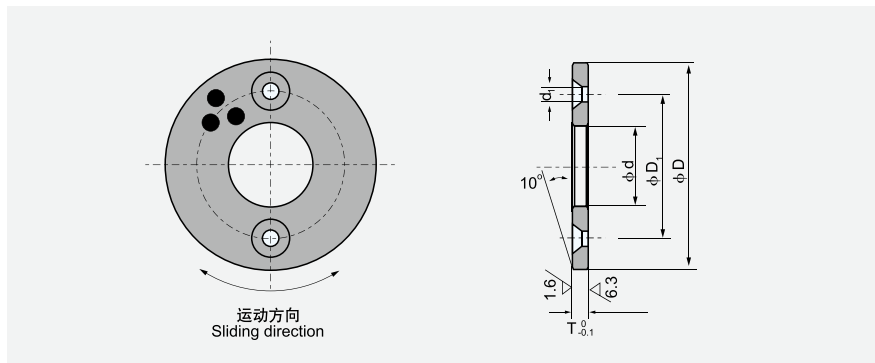


单位Unit: mm²

d	D	d E7	D r6	F	L ₁	L ^{-0.10} L ^{-0.30}										
						15	20	25	30	35	40	50	60	80	100	
10	14	10	14	22	2	1015	1020									
12	18	12	18	25	3	1215	1220									
13	19	13	19	26		1315	1320									
14	20	14	20	27		1415	1420	1425								
15	21	15	21	28		1515	1520	1525	1530							
16	22	16	22	29		1615	1620	1625	1630							
20	30	20	30	40		5		2020	2025	2030	2035					
25	35	25	35	45			2520	2525	2530	2535	2540					
30	40	30	40	50			3020	3025	3030	3035	3040	3050				
35	45	35	45	60				3525	3530	3535	3540	3550				
40	50	40	50	65					4030	4035	4040	4050				
45	55	45	55	70					4530	4535	4540	4550	4560			
50	60	50	60	75						5035	5040	5050	5060			
55	65	55	65	80							5540	5550	5560			
60	75	60	75	90	7.5						6040	6050	6060	6080		
70	85	70	85	105									7050	7060	7080	
75	90	75	90	110								7550	7560	7580	75100	
80	100	80	100	120	10								8060	8080	80100	
90	110	90	110	130										9060	9080	90100
100	120	100	120	150										10060	10080	100100
120	140	120	140	170										12060	12080	120100

JTW 自润滑止推垫片标准公制尺寸

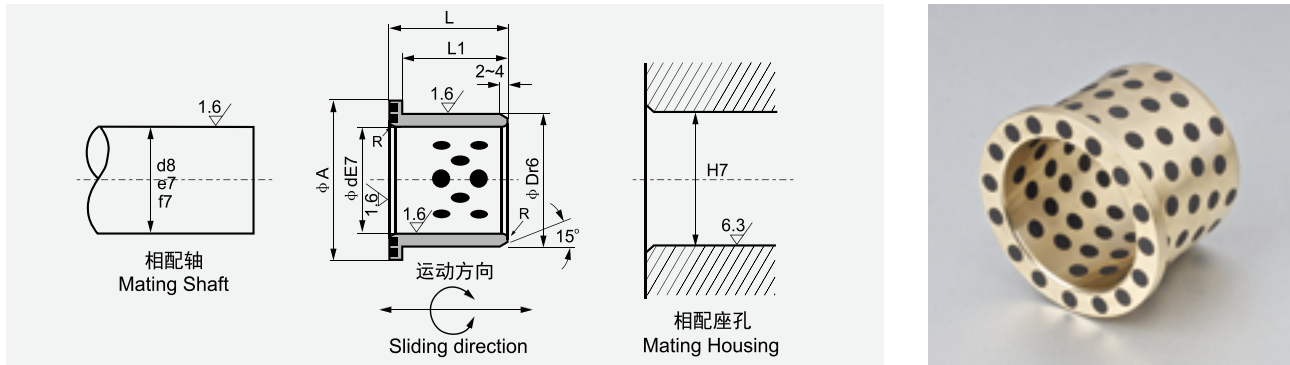
JTW Self-lubricating Thrust Washer Standard Metric Size


 单位Unit: mm²

型号规格 Standard No.	ϕd	ϕD	T	螺孔 Bolt Hole			
				ϕD_1	平头螺钉 Crop Bolt	ϕd_1	孔数 Bore Number
JDB-JTW-10	10.2	30	3	20	M3	3.5	2
JDB-JTW-12	12.2	40	"	28	"	"	"
JDB-JTW-13	13.2	"	"	"	"	"	"
JDB-JTW-14	14.2	"	"	"	"	"	"
JDB-JTW-15	15.2	50	"	35	"	"	"
JDB-JTW-16	16.2	"	"	"	"	"	"
JDB-JTW-18	18.2	"	"	"	"	"	"
JDB-JTW-20	20.2	"	5	"	M5	6	"
JDB-JTW-25	25.2	55	"	40	"	"	"
JDB-JTW-30	30.2	60	"	45	"	"	"
JDB-JTW-35	35.2	70	"	50	M6	7	"
JDB-JTW-40	40.2	80	7	60	"	"	"
JDB-JTW-45	45.3	90	"	70	"	"	"
JDB-JTW-50	50.3	100	8	75	"	"	4
JDB-JTW-55	55.3	110	"	85	"	"	"
JDB-JTW-60	60.3	120	"	90	M8	9	"
JDB-JTW-65	65.3	125	"	95	"	"	"
JDB-JTW-70	70.3	130	10	100	"	"	"
JDB-JTW-75	75.3	140	"	110	"	"	"
JDB-JTW-80	80.3	150	"	120	"	"	"
JDB-JTW-90	90.5	170	"	140	M10	11	"
JDB-JTW-100	100.5	190	"	160	"	"	"
JDB-JTW-120	120.5	200	"	175	"	"	"

JFBB 自润滑翻边轴套标准公制尺寸

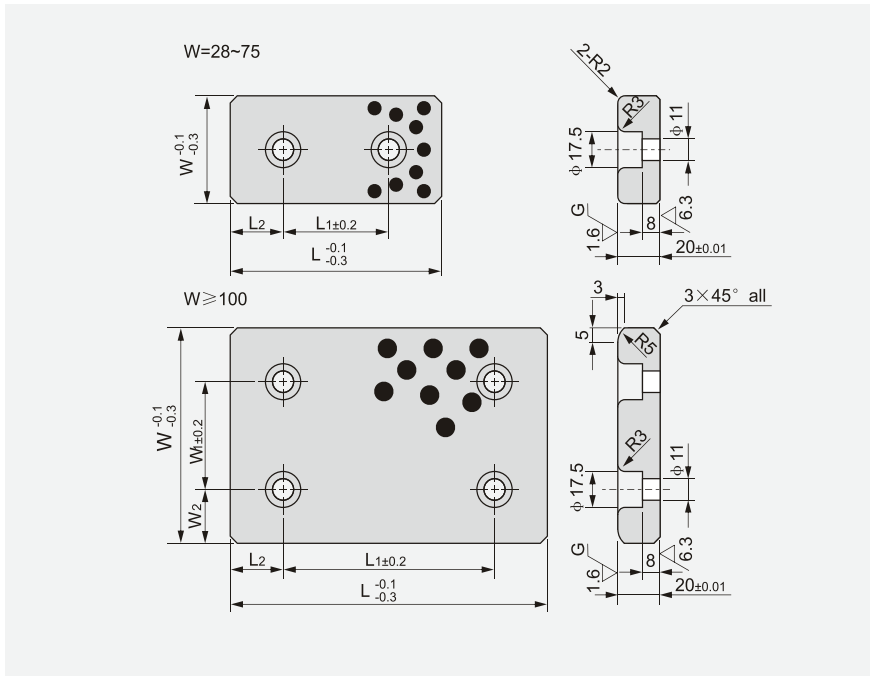
JFBB Self-lubricant Flange Bushings Standard Metric Size


 单位Unit:mm²

型号规格 Standard No.	φ d E7		φ D r6		φ A	L1	L
JDB-JFBB-12 × 15	12	+0.050 +0.032	18	+0.034 +0.023	25	11	15
JDB-JFBB-16 × 20	16	"	22	+0.041 +0.028	30	15	20
JDB-JFBB-20 × 25	20	+0.061 +0.040	28	"	36	20	25
JDB-JFBB-25 × 30	25	"	33	+0.050 +0.034	43	25	30
JDB-JFBB-30 × 35	30	+0.075 +0.050	38	"	48	30	35
JDB-JFBB-40 × 45	40	"	50	"	60	40	45
JDB-JFBB-50 × 55	50	"	62	+0.060 +0.041	75	49	55
JDB-JFBB-60 × 65	60	+0.090 +0.060	74	+0.062 +0.043	90	58	65

JESW 自润滑板

JESW Oilless Wear Plate

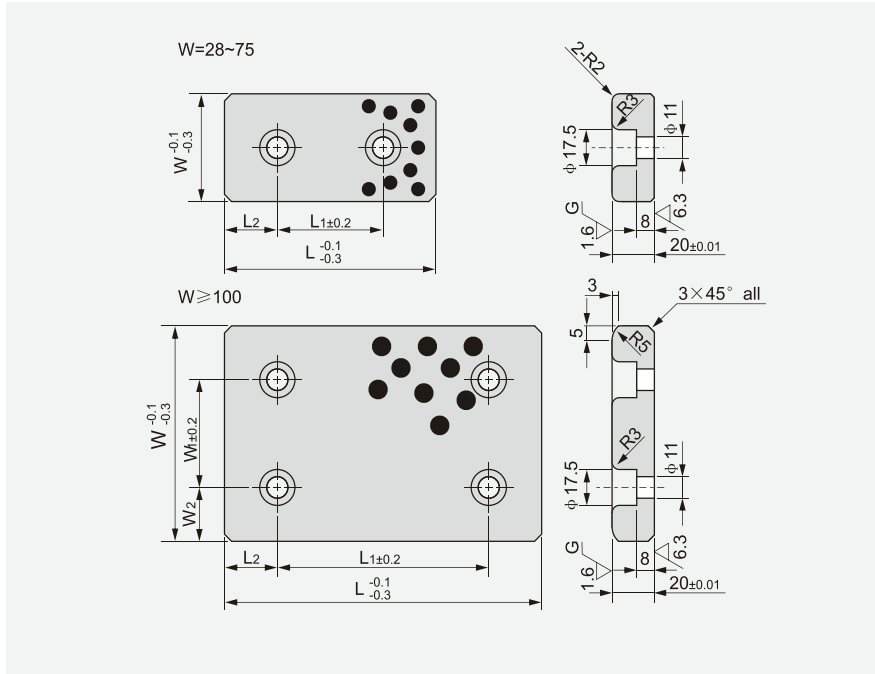


型号规格 Standard No.	W	L	W ₁	W ₂	L ₁	L ₂
JESW-28 × 75	28	75	-	-	45	15
JESW-28 × 100	"	100	"	"	50	25
JESW-28 × 150	"	150	"	"	100	"
JESW-38 × 75	38	75	"	"	45	15
JESW-38 × 100	"	100	"	"	50	25
JESW-38 × 150	"	150	"	"	100	"
JESW-48 × 75	48	75	"	"	45	15
JESW-48 × 100	"	100	"	"	50	25
JESW-48 × 125	"	125	"	"	75	"
JESW-48 × 150	"	150	"	"	100	"
JESW-48 × 200	"	200	"	"	150	"
JESW-58 × 75	58	75	"	"	45	15
JESW-58 × 100	"	100	"	"	50	25
JESW-58 × 150	"	150	"	"	100	"
JESW-75 × 75	75	75	"	"	25	"
JESW-75 × 100	"	100	"	"	50	"
JESW-75 × 125	"	125	"	"	75	"
JESW-75 × 150	"	150	"	"	100	"
JESW-75 × 200	"	200	"	"	150	"

型号规格 Standard No.	W	L	W ₁	W ₂	L ₁	L ₂
JESW-100 × 100	100	100	50	25	50	25
JESW-100 × 125	"	125	"	"	75	"
JESW-100 × 150	"	150	"	"	100	"
JESW-100 × 200	"	200	"	"	150	"
JESW-100 × 250	"	250	"	"	200	"
JESW-100 × 300	"	300	"	"	"	50
JESW-125 × 125	125	125	"	37.5	75	25
JESW-125 × 150	"	150	"	"	100	"
JESW-125 × 200	"	200	"	"	150	"
JESW-125 × 250	"	250	"	"	200	"
JESW-125 × 300	"	300	"	"	"	50
JESW-125 × 350	"	350	"	"	"	75
JESW-150 × 150	150	150	100	25	100	25
JESW-150 × 200	"	200	"	"	150	"
JESW-150 × 250	"	250	"	"	200	"

JESW 自润滑板标准公制尺寸

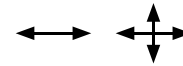
JESW Self-lubricant Oilless Wear Plate Standard Metric Size



Sliding directions

运动方向

W=28·38 W≥48



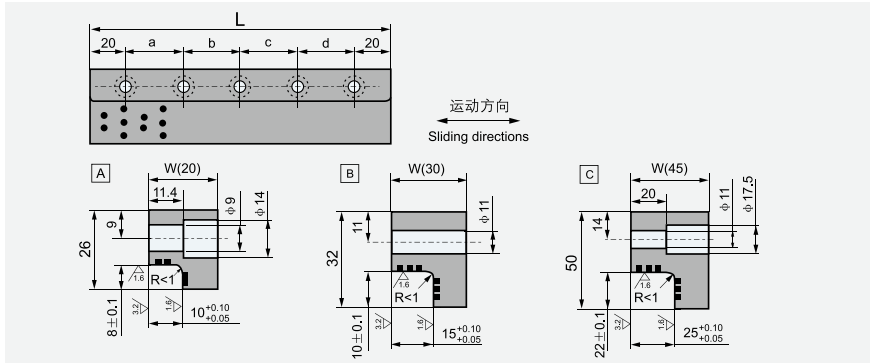
Material	650# + Graphite
材质	高力黄铜 + 石墨

型号规格 Standard No.	W	L	W ₁	W ₂	L ₁	L ₂
JESW-28 × 75	28	75	-	-	45	15
JESW-28 × 100	"	100	"	"	50	25
JESW-28 × 150	"	150	"	"	100	"
JESW-38 × 75	38	75	"	"	45	15
JESW-38 × 100	"	100	"	"	50	25
JESW-38 × 150	"	150	"	"	100	"
JESW-48 × 75	48	75	"	"	45	15
JESW-48 × 100	"	100	"	"	50	25
JESW-48 × 125	"	125	"	"	75	"
JESW-48 × 150	"	150	"	"	100	"
JESW-48 × 200	"	200	"	"	150	"
JESW-58 × 75	58	75	"	"	45	15
JESW-58 × 100	"	100	"	"	50	25
JESW-58 × 150	"	150	"	"	100	"
JESW-75 × 75	75	75	"	"	25	"
JESW-75 × 100	"	100	"	"	50	"
JESW-75 × 125	"	125	"	"	75	"
JESW-75 × 150	"	150	"	"	100	"
JESW-75 × 200	"	200	"	"	150	"

型号规格 Standard No.	W	L	W ₁	W ₂	L ₁	L ₂
JESW-100 × 100	100	100	50	25	50	25
JESW-100 × 125	"	125	"	"	75	"
JESW-100 × 150	"	150	"	"	100	"
JESW-100 × 200	"	200	"	"	150	"
JESW-100 × 250	"	250	"	"	200	"
JESW-100 × 300	"	300	"	"	"	50
JESW-125 × 125	125	125	"	37.5	75	25
JESW-125 × 150	"	150	"	"	100	"
JESW-125 × 200	"	200	"	"	150	"
JESW-125 × 250	"	250	"	"	200	"
JESW-125 × 300	"	300	"	"	"	50
JESW-125 × 350	"	350	"	"	"	75
JESW-150 × 150	150	150	100	25	100	25
JESW-150 × 200	"	200	"	"	150	"
JESW-150 × 250	"	250	"	"	200	"

JSP 滑板标准公制尺寸

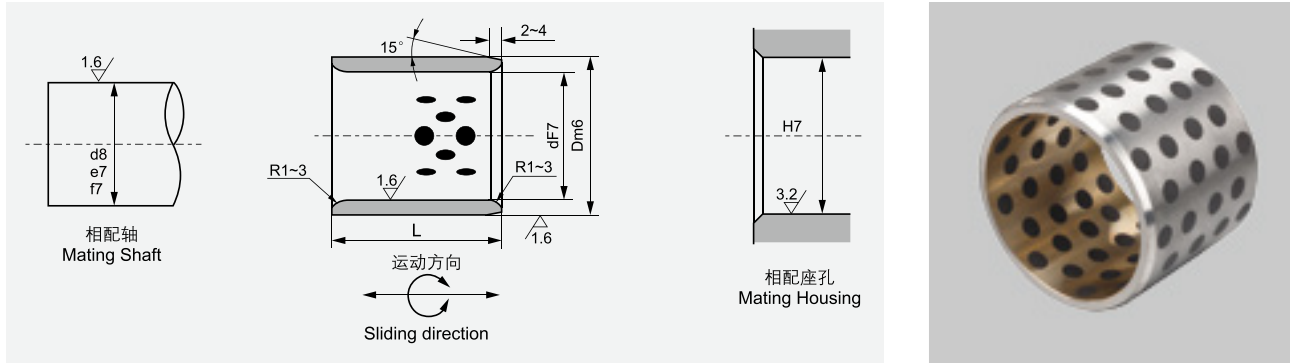
JSP Wear Plate Standard Metric Size


 单位Unit: mm²

型号规格 Standard No.	W	L	螺孔 Bolt Hole				螺孔 Size	数量 Q'ty	图示 Sketch
			a	b	c	d			
JDB-JSP-20 × 100	20	100	60	—	—	—	M8	2	A
JDB-JSP-20 × 150		150	55	55	—	—		3	
JDB-JSP-20 × 200		200	55	50	55	—		4	
JDB-JSP-30 × 100	30	100	60	—	—	—	M10	2	B
JDB-JSP-30 × 150		150	55	55	—	—		3	
JDB-JSP-30 × 200		200	55	50	55	—		4	
JDB-JSP-30 × 250		250	70	70	70	—		4	
JDB-JSP-45 × 200	45	200	55	50	55	—		4	C
JDB-JSP-45 × 250		250	70	70	70	—		4	
JDB-JSP-45 × 300		300	65	65	65	65		5	
JDB-JSP-45 × 350		350	80	75	75	80		5	

JDB-3 自润滑直套轴承标准公制尺寸

JDB-3 Self-lubricating Straight Bearings Standard Metric Size



单位Unit: mm²

d	D	d F7	D m6	L ^{-0.10} / _{-0.30}													
				8	10	12	15	16	20	25	30	35	40	50	60	70	80
8	12	8	12	081208	081210	081212	081215										
10	14	10	14	101408	101410	101412	101415	101416	101420								
12	18	12	18		121810	121812	121815	121816	121820	121825	121830						
13	19	13	19		131910	131912	131915	131916	131920	131925	131930						
14	20	14	20		142010	142012	142015	142016	142020	142025	142030						
15	21	15	21		152110	152112	152115	152116	152120	152125	152130	152135					
16	22	16	22		162210	162212	162215	162216	162220	162225	162230	162235	162240				
18	24	18	24		182410	182412	182415	182416	182420	182425	182430	182435	182440				
20	28	20	28		202810	202812	202815	202816	202820	202825	202830	202835	202840	202850			
22	32	22	32			223212	223215	223216	223220	223225	223230	223235	223240	223250			
25	33	25	33			253312	253315	253316	253320	253325	253330	253335	253340	253350	253360		
30	38	30	38			303812	303815	303816	303820	303825	303830	303835	303840	303850	303860		
35	45	35	45						354520	354525	354530	354535	354540	354550	354560	354570	
40	50	40	50						405020	405025	405030	405035	405040	405050	405060	405070	405080
45	55	45	55								455530	455535	455540	455550	455560	455570	455580
50	60	50	60								506030	506035	506040	506050	506060	506070	506080

JDB-3 自润滑直套轴承标准公制尺寸

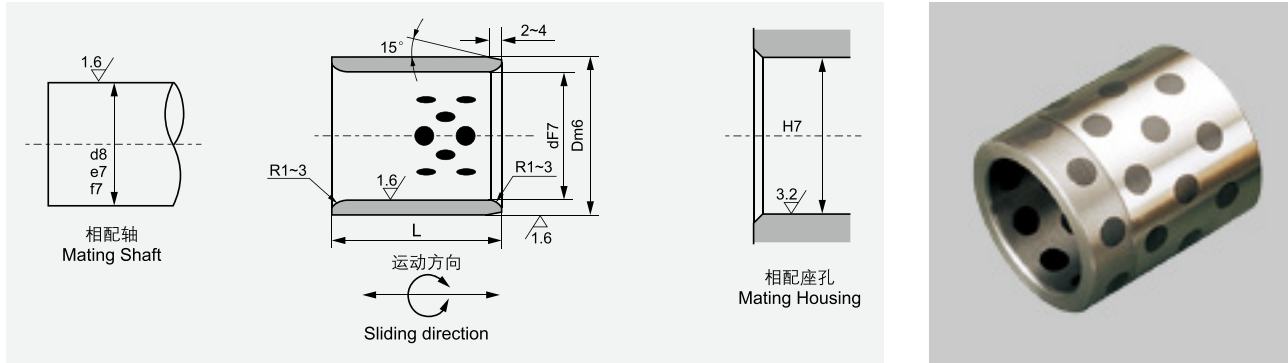
JDB-3 Self-lubricating Straight Bearings Standard Metric Size

 单位Unit: mm²

d	D	dF7	Dm6	-0.10 L -0.30													
				30	35	40	50	60	70	80	100	120	130	140	150		
50	62	50	62		506230	506235	506240	506250	506260	506270							
50	65	50			65	506530	506535	506540	506550	506560	506570	506580	5065100				
55	70	55	70		557030	557035	557040	557050	557060	557070	557080	5570100					
60	74	60			75	607430	607435	607440	607450	607460	607470	607480	6074100				
60	75	60	75		607530	607535	607540	607550	607560	607570	607580	6075100					
63	75	63	75			637535	637540	637550	637560	637570	637580	6375100					
65	80	65	80			658035	658040	658050	658060	658070	658080	6580100					
70	85	70	85			708535	708540	708550	708560	708570	708580	7085100					
70	90	70			90		709035	709040	709050	709060	709070	709080	7090100				
75	90	75	90				759040	759050	759060	759070	759080	7590100					
75	95	75	95				759540	759550	759560	759570	759580	7595100	7595120				
80	96	80	96				809640	809650	809660	809670	809680	8096100	8096120	8096130			
80	100	80	100				8010040	8010050	8010060	8010070	8010080	80100100	80100120	80100130	80100140		
90	110	90	110					9011050	9011060	9011070	9011080	90110100	90110120	90110130	90110140		
100	120	100			120					10012060	10012070	10012080	100120100	100120120	100120130	100120140	
110	130	110	130								11013080	110130100	110130120	110130130	110130140		
120	140	120			140								12014080	120140100	120140120	120140130	120140140
125	145	125	145									125145100	125145120	125145130	125145140		
130	150	130	150										130150100	130150120	130150130	130150140	130150150
140	160	140			160									140160100	140160120	140160130	140160140
150	170	150	170										150170100	150170120	150170130	150170140	150170150
160	180	160	180										160180100	160180120	160180130	160180140	160180150

JDB-4 自润滑直套轴承标准公制尺寸

JDB-4 Self-lubricating Straight Bearings Standard Metric Size



d	D	d F7	D m6	L ^{-0.10} / _{-0.30}													
				8	10	12	15	16	20	25	30	35	40	50	60	70	80
8	12	8	12	081208	081210	081212	081215										
10	14	10	14	101408	101410	101412	101415	101416	101420								
12	18	12	18		121810	121812	121815	121816	121820	121825	121830						
13	19	13	19		131910	131912	131915	131916	131920	131925	131930						
14	20	14	20		142010	142012	142015	142016	142020	142025	142030						
15	21	15	21		152110	152112	152115	152116	152120	152125	152130	152135					
16	22	16	22		162210	162212	162215	162216	162220	162225	162230	162235	162240				
18	24	18	24		182410	182412	182415	182416	182420	182425	182430	182435	182440				
20	28	20	28		202810	202812	202815	202816	202820	202825	202830	202835	202840	202850			
22	32	22	32			223212	223215	223216	223220	223225	223230	223235	223240	223250			
25	33	25	33			253312	253315	253316	253320	253325	253330	253335	253340	253350	253360		
30	38	30	38			303812	303815	303816	303820	303825	303830	303835	303840	303850	303860		
35	45	35	45						354520	354525	354530	354535	354540	354550	354560	354570	
40	50	40	50						405020	405025	405030	405035	405040	405050	405060	405070	405080
45	55	45	55								455530	455535	455540	455550	455560	455570	455580
50	60	50	60								506030	506035	506040	506050	506060	506070	506080

JDB-4 自润滑直套轴承标准公制尺寸

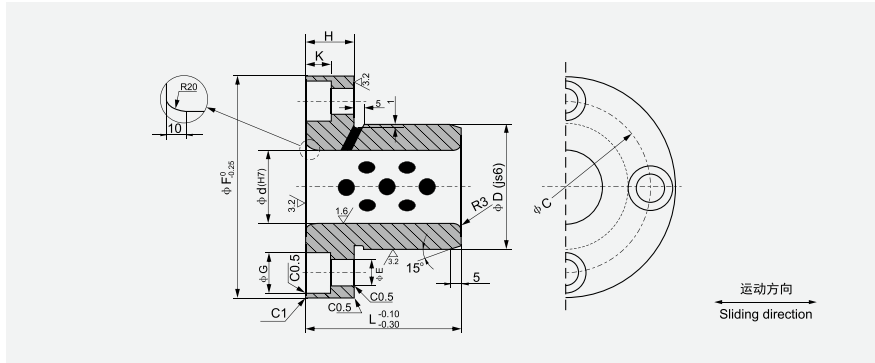
JDB-4 Self-lubricating Straight Bearings Standard Metric Size

 单位Unit: mm²

d	D	dF7	Dm6	-0.10 L -0.30													
				30	35	40	50	60	70	80	100	120	130	140	150		
50	62	50	62		506230	506235	506240	506250	506260	506270							
		^{+0.050} / _{+0.025}															
50	65	50	65		506530	506535	506540	506550	506560	506570	506580	5065100					
55	70	55	70		557030	557035	557040	557050	557060	557070	557080	5570100					
60	74	60	75	^{+0.030} / _{+0.011}	607430	607435	607440	607450	607460	607470	607480	6074100					
60	75	60	75		607530	607535	607540	607550	607560	607570	607580	6075100					
63	75	63	75			637535	637540	637550	637560	637570	637580	6375100					
65	80	65	80			658035	658040	658050	658060	658070	658080	6580100					
70	85	70	85	^{+0.060} / _{+0.030}		708535	708540	708550	708560	708570	708580	7085100					
70	90	70	90			709035	709040	709050	709060	709070	709080	7090100					
75	90	75	90				759040	759050	759060	759070	759080	7590100					
75	95	75	95				759540	759550	759560	759570	759580	7595100	7595120				
80	96	80	96	^{+0.035} / _{+0.013}			809640	809650	809660	809670	809680	8096100	8096120	8096130			
80	100	80	100				8010040	8010050	8010060	8010070	8010080	80100100	80100120	80100130	80100140		
90	110	90	110					9011050	9011060	9011070	9011080	90110100	90110120	90110130	90110140		
100	120	100	120	^{+0.071} / _{+0.036}					10012060	10012070	10012080	100120100	100120120	100120130	100120140		
110	130	110	130								11013080	110130100	110130120	110130130	110130140		
120	140	120	140								12014080	120140100	120140120	120140130	120140140		
125	145	125	145									125145100	125145120	125145130	125145140		
130	150	130	150	^{+0.040} / _{+0.015}								130150100	130150120	130150130	130150140	130150150	
140	160	140	160	^{+0.083} / _{+0.043}								140160100	140160120	140160130	140160140	140160150	
150	170	150	170									150170100	150170120	150170130	150170140	150170150	
160	180	160	180									160180100	160180120	160180130	160180140	160180150	

JLB-HGB 自润滑导向套标准公制尺寸

JLB-HGB Self-lubricant Guide Bushes Standard Metric Size

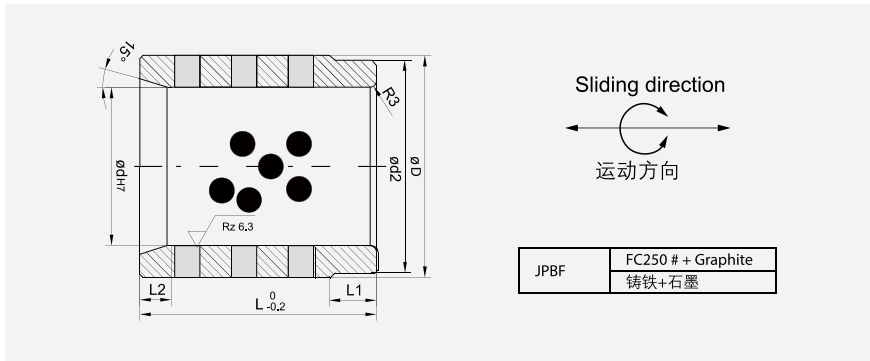


单位Unit: mm²

项目 NO.	代号 Code	尺寸 Specification	ΦF	ΦD (js6)	Φd (H7)	H	L	ΦC	ΦE	ΦG	K
1	30	90 × 50 × 30 × 50	90	50	30	20	50	70	11	17.5	10.8
2	40	100 × 60 × 40 × 65	100	60	40	20	65	80	11	17.5	10.8
3	50	125 × 75 × 50 × 80	125	75	50	20	80	100	11	17.5	10.8
4	60	135 × 85 × 60 × 100	135	85	60	20	100	110	11	17.5	10.8
5	80	170 × 110 × 80 × 130	170	110	80	25	130	140	14	20	13
6	100	190 × 130 × 100 × 160	190	130	100	25	160	160	14	20	13

JPBW, JPBF 自润滑轴套

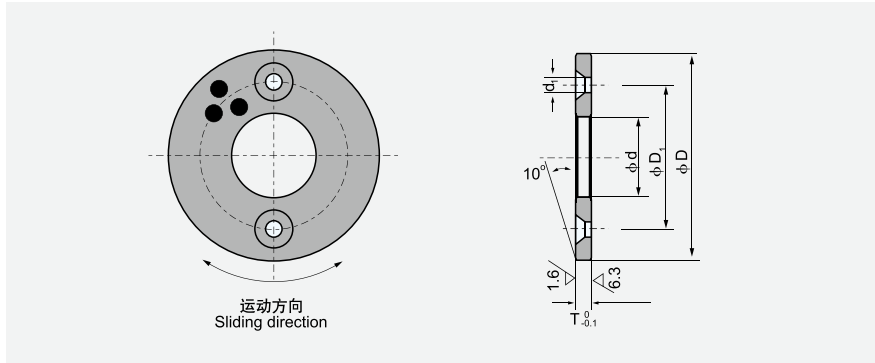
JPBW, JPBF Oilless Wear Plate



Parts No.	内径		外径		长度		l_1	l_2
	ϕd		ϕD		L			
JPBW"254040	25	$+0.020$ 0	40	± 0.0080	40	0 "0.2	10	5
JPBW"305050	30	"	50	"	50	"	"	"
JPBW"356055	35	$+0.025$ 0	60	± 0.0095	55	"	15	"
JPBW"406055	40	"	"	"	"	"	"	"
JPBW"406060	"	"	"	"	60	"	10	"
JPBW"507075	50	"	70	"	75	"	15	10
JPBW"608090	60	$+0.030$ 0	80	"	90	"	20	"
JPBW"80100120	80	"	100	± 0.0110	120	"	25	"
JPBW"100120150	100	$+0.035$ 0	120	"	150	"	"	"
JPBW"120140180	120	"	140	± 0.0125	180	"	"	"

JTW 自润滑止推垫片标准公制尺寸

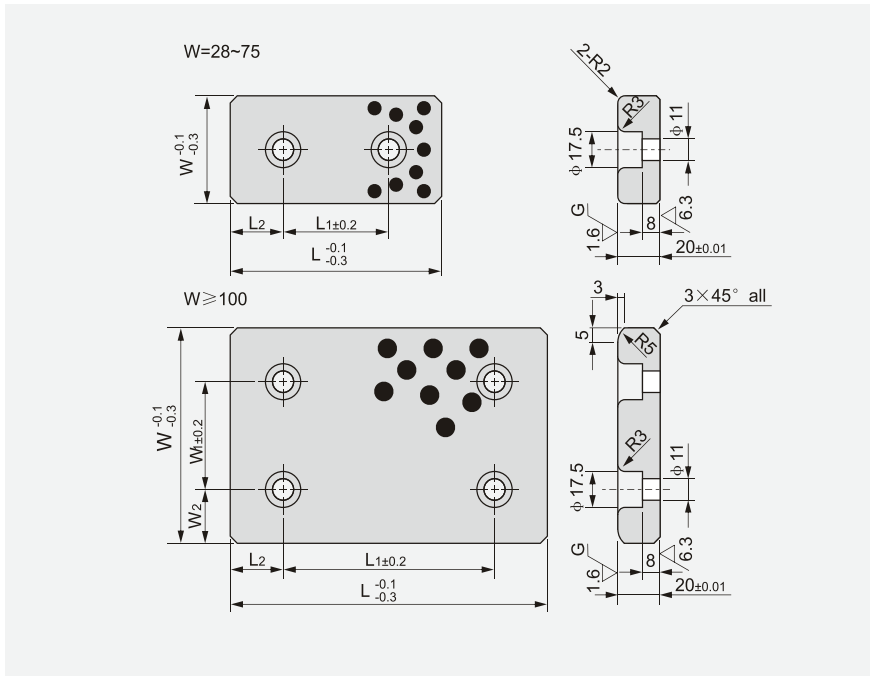
JTW Self-lubricating Thrust Washer Standard Metric Size


 单位Unit: mm²

型号规格 Standard No.	ϕd	ϕD	T	螺孔 Bolt Hole			
				ϕD_1	平头螺钉 Crop Bolt	ϕd_1	孔数 Bore Number
JDB-JTW-10	10.2	30	3	20	M3	3.5	2
JDB-JTW-12	12.2	40	"	28	"	"	"
JDB-JTW-13	13.2	"	"	"	"	"	"
JDB-JTW-14	14.2	"	"	"	"	"	"
JDB-JTW-15	15.2	50	"	35	"	"	"
JDB-JTW-16	16.2	"	"	"	"	"	"
JDB-JTW-18	18.2	"	"	"	"	"	"
JDB-JTW-20	20.2	"	5	"	M5	6	"
JDB-JTW-25	25.2	55	"	40	"	"	"
JDB-JTW-30	30.2	60	"	45	"	"	"
JDB-JTW-35	35.2	70	"	50	M6	7	"
JDB-JTW-40	40.2	80	7	60	"	"	"
JDB-JTW-45	45.3	90	"	70	"	"	"
JDB-JTW-50	50.3	100	8	75	"	"	4
JDB-JTW-55	55.3	110	"	85	"	"	"
JDB-JTW-60	60.3	120	"	90	M8	9	"
JDB-JTW-65	65.3	125	"	95	"	"	"
JDB-JTW-70	70.3	130	10	100	"	"	"
JDB-JTW-75	75.3	140	"	110	"	"	"
JDB-JTW-80	80.3	150	"	120	"	"	"
JDB-JTW-90	90.5	170	"	140	M10	11	"
JDB-JTW-100	100.5	190	"	160	"	"	"
JDB-JTW-120	120.5	200	"	175	"	"	"

JESW 自润滑板

JESW Oilless Wear Plate

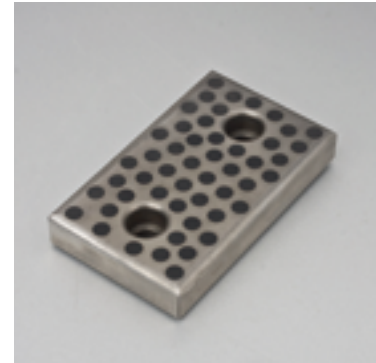
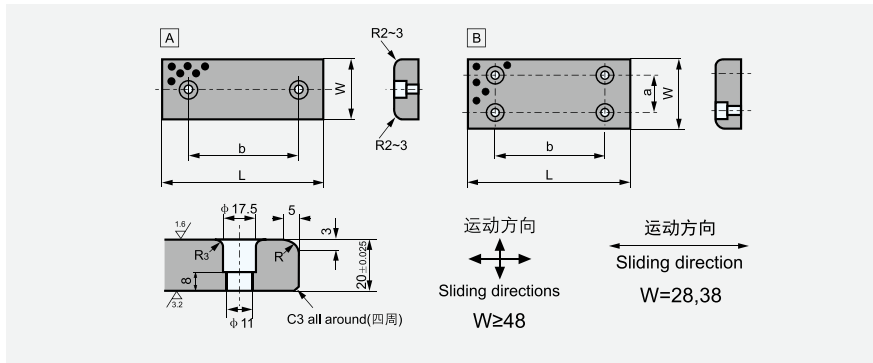


型号规格 Standard No.	W	L	W ₁	W ₂	L ₁	L ₂
JESW-28 × 75	28	75	-	-	45	15
JESW-28 × 100	"	100	"	"	50	25
JESW-28 × 150	"	150	"	"	100	"
JESW-38 × 75	38	75	"	"	45	15
JESW-38 × 100	"	100	"	"	50	25
JESW-38 × 150	"	150	"	"	100	"
JESW-48 × 75	48	75	"	"	45	15
JESW-48 × 100	"	100	"	"	50	25
JESW-48 × 125	"	125	"	"	75	"
JESW-48 × 150	"	150	"	"	100	"
JESW-48 × 200	"	200	"	"	150	"
JESW-58 × 75	58	75	"	"	45	15
JESW-58 × 100	"	100	"	"	50	25
JESW-58 × 150	"	150	"	"	100	"
JESW-75 × 75	75	75	"	"	25	"
JESW-75 × 100	"	100	"	"	50	"
JESW-75 × 125	"	125	"	"	75	"
JESW-75 × 150	"	150	"	"	100	"
JESW-75 × 200	"	200	"	"	150	"

型号规格 Standard No.	W	L	W ₁	W ₂	L ₁	L ₂
JESW-100 × 100	100	100	50	25	50	25
JESW-100 × 125	"	125	"	"	75	"
JESW-100 × 150	"	150	"	"	100	"
JESW-100 × 200	"	200	"	"	150	"
JESW-100 × 250	"	250	"	"	200	"
JESW-100 × 300	"	300	"	"	"	50
JESW-125 × 125	125	125	"	37.5	75	25
JESW-125 × 150	"	150	"	"	100	"
JESW-125 × 200	"	200	"	"	150	"
JESW-125 × 250	"	250	"	"	200	"
JESW-125 × 300	"	300	"	"	"	50
JESW-125 × 350	"	350	"	"	"	75
JESW-150 × 150	150	150	100	25	100	25
JESW-150 × 200	"	200	"	"	150	"
JESW-150 × 250	"	250	"	"	200	"

JLB-JESW 滑块标准公制尺寸

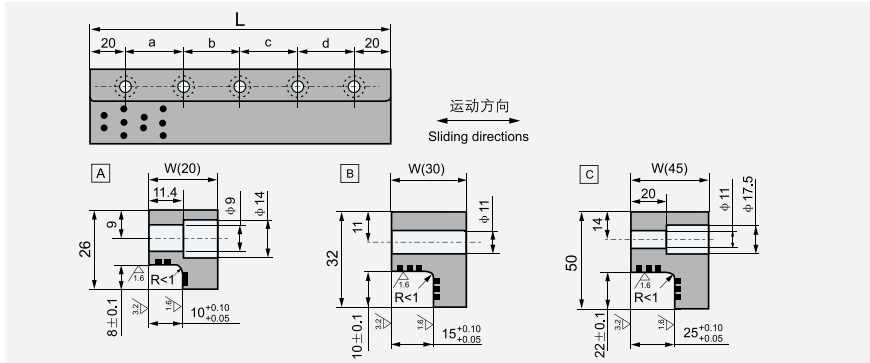
JLB-JESW Wear Plate Standard Metric Size


 单位Unit: mm²

型号规格 Standard No.	W	L	a	b	图示 Sketch
JLB-JESW-28 × 75	28	75	-	45	A
JLB-JESW-28 × 100		100		50	
JLB-JESW-28 × 150		150		100	
JLB-JESW-38 × 75	38	75	-	45	
JLB-JESW-38 × 100		100		50	
JLB-JESW-38 × 150		150		100	
JLB-JESW-48 × 75	48	75	-	45	
JLB-JESW-48 × 100		100		50	
JLB-JESW-48 × 125		125		75	
JLB-JESW-48 × 150		150		100	
JLB-JESW-48 × 200		200		150	
JLB-JESW-58 × 75	58	75	-	45	
JLB-JESW-58 × 100		100		50	
JLB-JESW-58 × 150		150		100	
JLB-JESW-75 × 75	75	75	-	25	
JLB-JESW-75 × 100		100		50	
JLB-JESW-75 × 125		125		75	
JLB-JESW-75 × 150		150		100	
JLB-JESW-75 × 200		200		150	
JLB-JESW-100 × 100	100	100	50	50	B
JLB-JESW-100 × 125		125		75	
JLB-JESW-100 × 150		150		100	
JLB-JESW-100 × 200		200		150	
JLB-JESW-100 × 250		250		200	
JLB-JESW-100 × 300	300	200			
JLB-JESW-125 × 125	125	125	50	75	
JLB-JESW-125 × 150		150		100	
JLB-JESW-125 × 200		200		150	
JLB-JESW-125 × 250		250		200	
JLB-JESW-125 × 300		300		200	
JLB-JESW-125 × 350		350		200	
JLB-JESW-150 × 150	150	150	100	100	
JLB-JESW-150 × 200		200		150	
JLB-JESW-150 × 250		250		200	

JSP 滑板标准公制尺寸

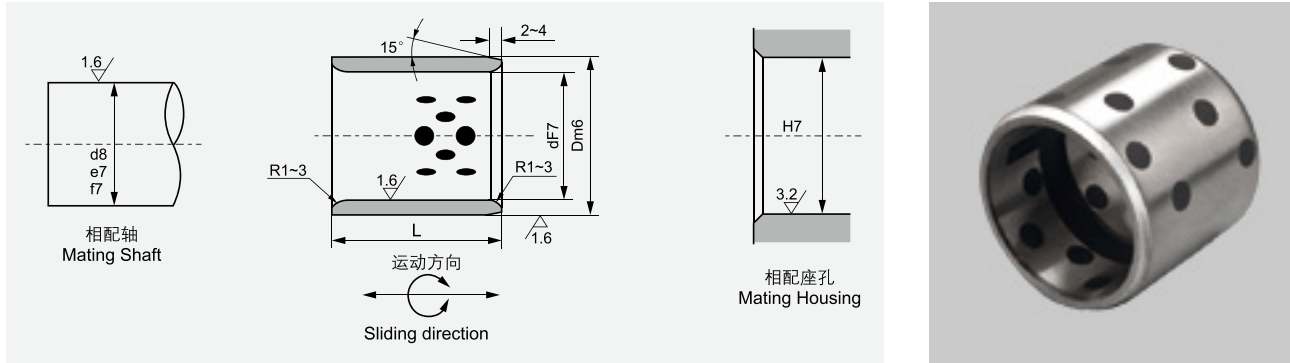
JSP Wear Plate Standard Metric Size


 单位Unit: mm²

型号规格 Standard No.	W	L	螺孔 Bolt Hole				螺孔 Size	数量 Q'ty	图示 Sketch
			a	b	c	d			
JDB-JSP-20 × 100	20	100	60	—	—	—	M8	2	A
JDB-JSP-20 × 150		150	55	55	—	—		3	
JDB-JSP-20 × 200		200	55	50	55	—		4	
JDB-JSP-30 × 100	30	100	60	—	—	—	M10	2	B
JDB-JSP-30 × 150		150	55	55	—	—		3	
JDB-JSP-30 × 200		200	55	50	55	—		4	
JDB-JSP-30 × 250		250	70	70	70	—		4	
JDB-JSP-45 × 200	45	200	55	50	55	—		4	C
JDB-JSP-45 × 250		250	70	70	70	—		4	
JDB-JSP-45 × 300		300	65	65	65	65		5	
JDB-JSP-45 × 350		350	80	75	75	80		5	

JDB-5 自润滑直套轴承标准公制尺寸

JDB-5 Self-lubricating Straight Bearings Standard Metric Size



单位Unit: mm²

d	D	d F7	D m6	L ^{-0.10} / _{-0.30}													
				8	10	12	15	16	20	25	30	35	40	50	60	70	80
8	12	8	12	081208	081210	081212	081215										
10	14	10	14	101408	101410	101412	101415	101416	101420								
12	18	12	18		121810	121812	121815	121816	121820	121825	121830						
13	19	13	19		131910	131912	131915	131916	131920	131925	131930						
14	20	14	20		142010	142012	142015	142016	142020	142025	142030						
15	21	15	21		152110	152112	152115	152116	152120	152125	152130	152135					
16	22	16	22		162210	162212	162215	162216	162220	162225	162230	162235	162240				
18	24	18	24		182410	182412	182415	182416	182420	182425	182430	182435	182440				
20	28	20	28		202810	202812	202815	202816	202820	202825	202830	202835	202840	202850			
22	32	22	32			223212	223215	223216	223220	223225	223230	223235	223240	223250			
25	33	25	33			253312	253315	253316	253320	253325	253330	253335	253340	253350	253360		
30	38	30	38			303812	303815	303816	303820	303825	303830	303835	303840	303850	303860		
35	45	35	45						354520	354525	354530	354535	354540	354550	354560	354570	
40	50	40	50						405020	405025	405030	405035	405040	405050	405060	405070	405080
45	55	45	55								455530	455535	455540	455550	455560	455570	455580
50	60	50	60								506030	506035	506040	506050	506060	506070	506080

JDB-5 自润滑直套轴承标准公制尺寸

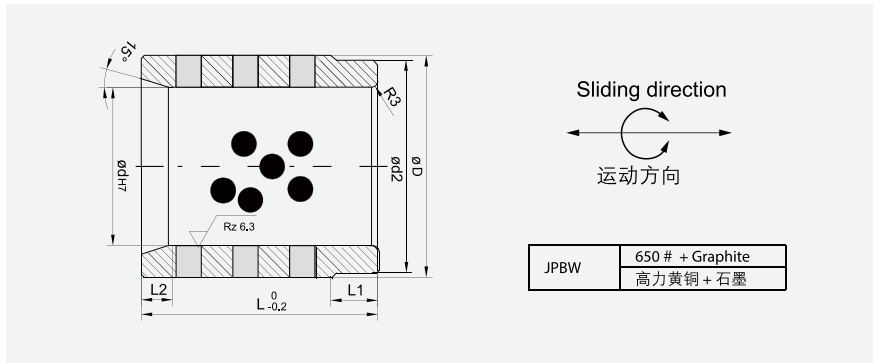
JDB-5 Self-lubricating Straight Bearings Standard Metric Size

 单位Unit: mm²

d	D	dF7	Dm6	L ^{-0.10} _{-0.30}													
				30	35	40	50	60	70	80	100	120	130	140	150		
50	62	50	62		506230	506235	506240	506250	506260	506270							
		^{+0.050} / _{+0.025}															
50	65	50	65		506530	506535	506540	506550	506560	506570	506580	5065100					
55	70	55	70		557030	557035	557040	557050	557060	557070	557080	5570100					
60	74	60	75	^{+0.030} / _{+0.011}	607430	607435	607440	607450	607460	607470	607480	6074100					
60	75	60	75		607530	607535	607540	607550	607560	607570	607580	6075100					
63	75	63	75			637535	637540	637550	637560	637570	637580	6375100					
65	80	65	80			658035	658040	658050	658060	658070	658080	6580100					
70	85	70	85	^{+0.060} / _{+0.030}		708535	708540	708550	708560	708570	708580	7085100					
70	90	70	90			709035	709040	709050	709060	709070	709080	7090100					
75	90	75	90				759040	759050	759060	759070	759080	7590100					
75	95	75	95				759540	759550	759560	759570	759580	7595100	7595120				
80	96	80	96	^{+0.035} / _{+0.013}			809640	809650	809660	809670	809680	8096100	8096120	8096130			
80	100	80	100				8010040	8010050	8010060	8010070	8010080	80100100	80100120	80100130	80100140		
90	110	90	110					9011050	9011060	9011070	9011080	90110100	90110120	90110130	90110140		
100	120	100	120	^{+0.071} / _{+0.036}					10012060	10012070	10012080	100120100	100120120	100120130	100120140		
110	130	110	130								11013080	110130100	110130120	110130130	110130140		
120	140	120	140								12014080	120140100	120140120	120140130	120140140		
125	145	125	145									125145100	125145120	125145130	125145140		
130	150	130	150	^{+0.040} / _{+0.015}								130150100	130150120	130150130	130150140	130150150	
140	160	140	160	^{+0.083} / _{+0.043}								140160100	140160120	140160130	140160140	140160150	
150	170	150	170									150170100	150170120	150170130	150170140	150170150	
160	180	160	180									160180100	160180120	160180130	160180140	160180150	

JPBW, JPBF 自润滑轴套

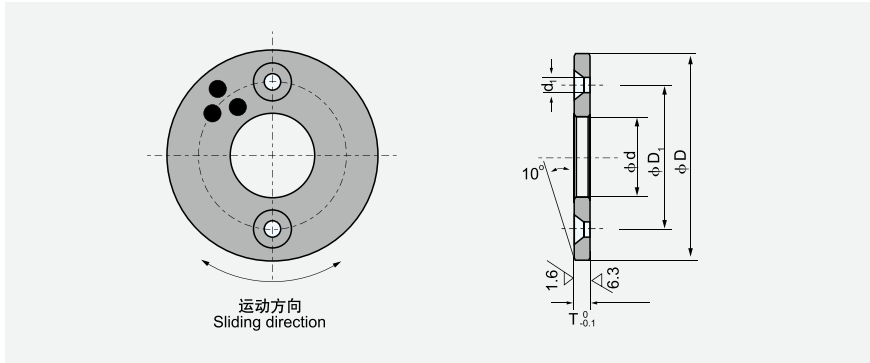
JPBW, JPBF Oilless Wear Plate



Parts No.	内径		外径		长度		l_1	l_2
	ϕd		ϕD		L			
JPBW"254040	25	$+0.020$ 0	40	± 0.0080	40	0 "0.2	10	5
JPBW"305050	30	"	50	"	50	"	"	"
JPBW"356055	35	$+0.025$ 0	60	± 0.0095	55	"	15	"
JPBW"406055	40	"	"	"	"	"	"	"
JPBW"406060	"	"	"	"	60	"	10	"
JPBW"507075	50	"	70	"	75	"	15	10
JPBW"608090	60	$+0.030$ 0	80	"	90	"	20	"
JPBW"80100120	80	"	100	± 0.0110	120	"	25	"
JPBW"100120150	100	$+0.035$ 0	120	"	150	"	"	"
JPBW"120140180	120	"	140	± 0.0125	180	"	"	"

JTW 自润滑止推垫片标准公制尺寸

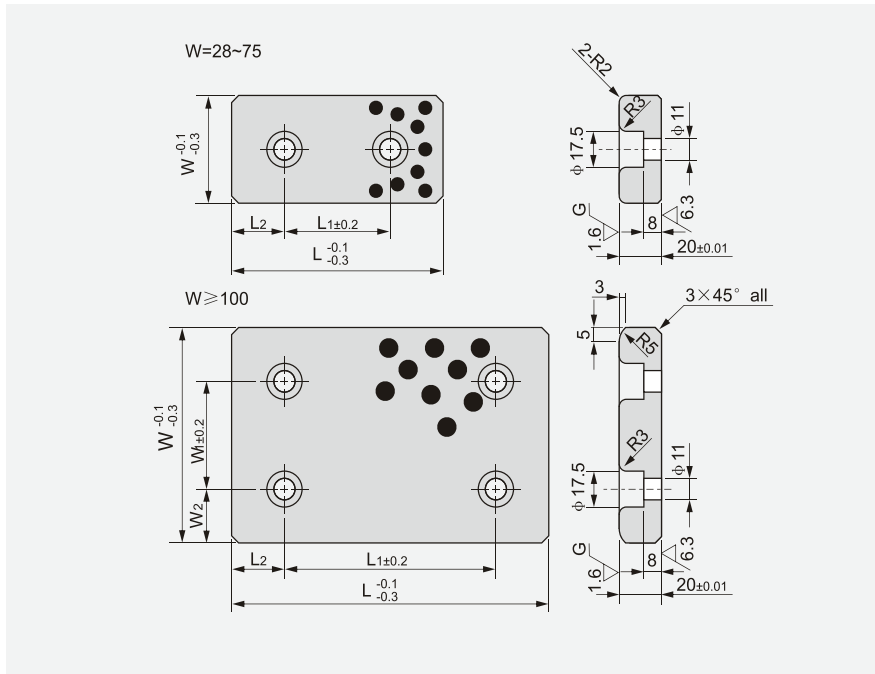
JTW Self-lubricating Thrust Washer Standard Metric Size


 单位Unit: mm²

型号规格 Standard No.	φ d	φ D	T	螺孔 Bolt Hole			
				φ D ₁	平头螺钉 Crop Bolt	φ d ₁	孔数 Bore Number
JDB-JTW-10	10.2	30	3	20	M3	3.5	2
JDB-JTW-12	12.2	40	"	28	"	"	"
JDB-JTW-13	13.2	"	"	"	"	"	"
JDB-JTW-14	14.2	"	"	"	"	"	"
JDB-JTW-15	15.2	50	"	35	"	"	"
JDB-JTW-16	16.2	"	"	"	"	"	"
JDB-JTW-18	18.2	"	"	"	"	"	"
JDB-JTW-20	20.2	"	5	"	M5	6	"
JDB-JTW-25	25.2	55	"	40	"	"	"
JDB-JTW-30	30.2	60	"	45	"	"	"
JDB-JTW-35	35.2	70	"	50	M6	7	"
JDB-JTW-40	40.2	80	7	60	"	"	"
JDB-JTW-45	45.3	90	"	70	"	"	"
JDB-JTW-50	50.3	100	8	75	"	"	4
JDB-JTW-55	55.3	110	"	85	"	"	"
JDB-JTW-60	60.3	120	"	90	M8	9	"
JDB-JTW-65	65.3	125	"	95	"	"	"
JDB-JTW-70	70.3	130	10	100	"	"	"
JDB-JTW-75	75.3	140	"	110	"	"	"
JDB-JTW-80	80.3	150	"	120	"	"	"
JDB-JTW-90	90.5	170	"	140	M10	11	"
JDB-JTW-100	100.5	190	"	160	"	"	"
JDB-JTW-120	120.5	200	"	175	"	"	"

JESW 自润滑板

JESW Oilless Wear Plate

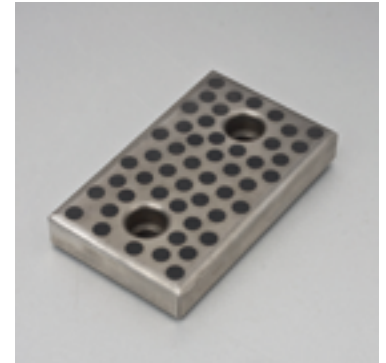
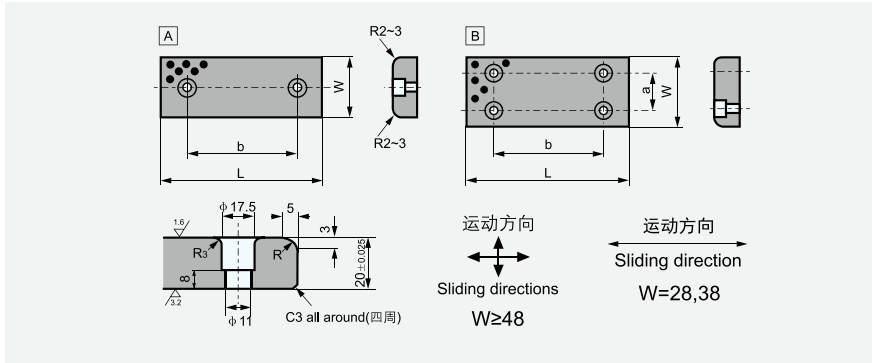


型号规格 Standard No.	W	L	W ₁	W ₂	L ₁	L ₂
JESW-28 × 75	28	75	-	-	45	15
JESW-28 × 100	"	100	"	"	50	25
JESW-28 × 150	"	150	"	"	100	"
JESW-38 × 75	38	75	"	"	45	15
JESW-38 × 100	"	100	"	"	50	25
JESW-38 × 150	"	150	"	"	100	"
JESW-48 × 75	48	75	"	"	45	15
JESW-48 × 100	"	100	"	"	50	25
JESW-48 × 125	"	125	"	"	75	"
JESW-48 × 150	"	150	"	"	100	"
JESW-48 × 200	"	200	"	"	150	"
JESW-58 × 75	58	75	"	"	45	15
JESW-58 × 100	"	100	"	"	50	25
JESW-58 × 150	"	150	"	"	100	"
JESW-75 × 75	75	75	"	"	25	"
JESW-75 × 100	"	100	"	"	50	"
JESW-75 × 125	"	125	"	"	75	"
JESW-75 × 150	"	150	"	"	100	"
JESW-75 × 200	"	200	"	"	150	"

型号规格 Standard No.	W	L	W ₁	W ₂	L ₁	L ₂
JESW-100 × 100	100	100	50	25	50	25
JESW-100 × 125	"	125	"	"	75	"
JESW-100 × 150	"	150	"	"	100	"
JESW-100 × 200	"	200	"	"	150	"
JESW-100 × 250	"	250	"	"	200	"
JESW-100 × 300	"	300	"	"	"	50
JESW-125 × 125	125	125	"	37.5	75	25
JESW-125 × 150	"	150	"	"	100	"
JESW-125 × 200	"	200	"	"	150	"
JESW-125 × 250	"	250	"	"	200	"
JESW-125 × 300	"	300	"	"	"	50
JESW-125 × 350	"	350	"	"	"	75
JESW-150 × 150	150	150	100	25	100	25
JESW-150 × 200	"	200	"	"	150	"
JESW-150 × 250	"	250	"	"	200	"

JLB-JESW 滑块标准公制尺寸

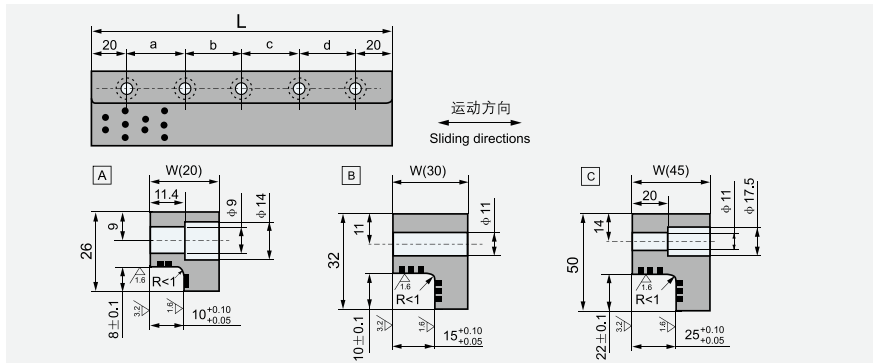
JLB-JESW Wear Plate Standard Metric Size


 单位Unit: mm²

型号规格 Standard No.	W	L	a	b	图示 Sketch
JLB-JESW-28 × 75	28	75	-	45	A
JLB-JESW-28 × 100		100			
JLB-JESW-28 × 150		150			
JLB-JESW-38 × 75	38	75	-	45	
JLB-JESW-38 × 100		100			
JLB-JESW-38 × 150		150			
JLB-JESW-48 × 75	48	75	-	45	
JLB-JESW-48 × 100		100			
JLB-JESW-48 × 125		125			
JLB-JESW-48 × 150		150			
JLB-JESW-48 × 200		200			
JLB-JESW-58 × 75	58	75	-	45	
JLB-JESW-58 × 100		100			
JLB-JESW-58 × 150		150			
JLB-JESW-75 × 75	75	75	-	25	
JLB-JESW-75 × 100		100			
JLB-JESW-75 × 125		125			
JLB-JESW-75 × 150		150			
JLB-JESW-75 × 200		200			
JLB-JESW-100 × 100	100	100	50	50	B
JLB-JESW-100 × 125		125			
JLB-JESW-100 × 150		150			
JLB-JESW-100 × 200		200			
JLB-JESW-100 × 250		250			
JLB-JESW-100 × 300		300			
JLB-JESW-125 × 125	125	125	50	75	
JLB-JESW-125 × 150		150			
JLB-JESW-125 × 200		200			
JLB-JESW-125 × 250		250			
JLB-JESW-125 × 300		300			
JLB-JESW-125 × 350		350			
JLB-JESW-150 × 150	150	150	100	100	
JLB-JESW-150 × 200		200			
JLB-JESW-150 × 250		250			

JSP 滑板标准公制尺寸

JSP Wear Plate Standard Metric Size


 单位Unit: mm²

型号规格 Standard No.	W	L	螺孔 Bolt Hole				螺孔 Size	数量 Q'ty	图示 Sketch
			a	b	c	d			
JDB-JSP-20 × 100	20	100	60	—	—	—	M8	2	A
JDB-JSP-20 × 150		150	55	55	—	—		3	
JDB-JSP-20 × 200		200	55	50	55	—		4	
JDB-JSP-30 × 100	30	100	60	—	—	—	M10	2	B
JDB-JSP-30 × 150		150	55	55	—	—		3	
JDB-JSP-30 × 200		200	55	50	55	—		4	
JDB-JSP-30 × 250		250	70	70	70	—		4	
JDB-JSP-45 × 200	45	200	55	50	55	—		4	C
JDB-JSP-45 × 250		250	70	70	70	—		4	
JDB-JSP-45 × 300		300	65	65	65	65		5	
JDB-JSP-45 × 350		350	80	75	75	80		5	