

JF-800 双金属自润滑轴套
JF-800 Bimetallic Self-lubricating Bushes



JF-800 双金属自润滑轴承
JF-800 Bimetallic Self-lubricating Bearings

JF-800 双金属自润滑轴套

JF-800 Bimetallic Self-lubricating Bushes

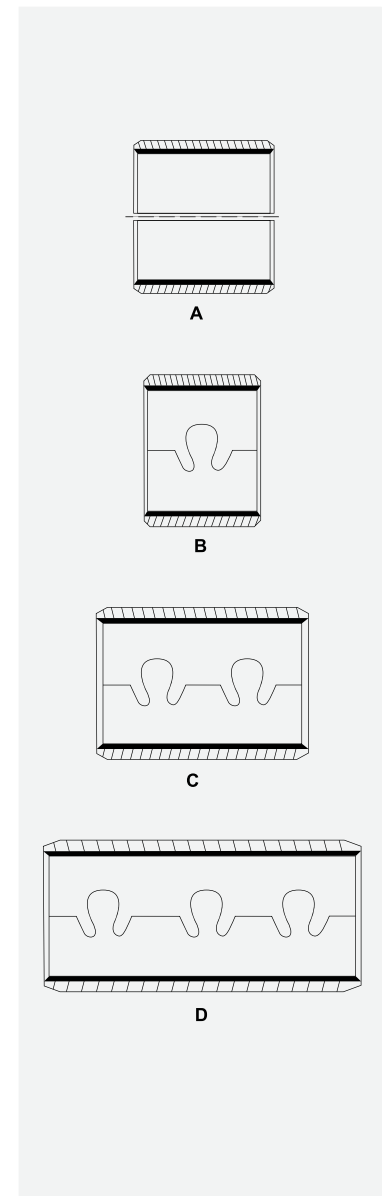
JLB-800系列双金属轴套、轴瓦、止推垫片，以优质低碳钢为基体，表面烧结青铜粉，适用于高载低速下的旋转，摇摆运动。具有摩擦系数低、耐磨性能好、使用寿命长、抗咬合性能好等特点，铜合金层可根据要求加工出各种类型的油穴、油槽。产品被广泛应用于矿山机械、汽车、建筑机械、农用机械、轧钢机械等。

JLB-800 Bimetallic self-lubricating bearing used high quality low-carbon steel plate as base, sintered porous bronze as its surface, suitable for rotatory oscillating, reciprocating movements on the conditions of high load, low speed, low friction, well wear resistance, long lifetime and better prevent from holding-on. The bronze layer surface can be machined with various of grooves, oil pockets in terms of different work condition. The product is widely used in mining machinery, automobile, building machinery, agriculture equipment, rolling steel industry etc.

材料特性 Material Characteristic

材料牌号 Material Trademark	合金成份 Alloy Composition	合金硬度 Alloy Hardness	国际标准 International Standard
JLB-800	CuPb10Sn10	70 ~ 100HB	SAE-797. DIN CuPb10Sn. JIS-LBC3. UNS C93700. Clevite F100. Daido L10. D. A. B. D57. Federal Mogul HF2. Glacier SY. Glyco66. Miba2. 1010. Taiho HF2. Karl Schmiat KS940S SAE-797. DIN CuPb10Sn. JIS-LBC3. UNS C93700. Clevite F100. Daido L10. D. A. B D57. Federal Mogul HF2 Glacier SY. Glyco66. Miba2. 1010. Taiho HF2. Karl Schmiat Ks940s
JLB-720	CuPb24Sn4	45 ~ 70HB	SAE=799. GLYCO 68. JIS-LBC6. DAIDO L23. Claciersx. ACLF250
JLB-700	CuPb30	30 ~ 45HB	SAE-783. GLYCO74. JIS-AJL
JLB-2	AlSn20Cu	30 ~ 40HB	SAE-48. JIS-KJ3
JLB-930	CuPb6.5P0.1	69 ~ 90HB	

卷制轴承搭口形式 Material Characteristic

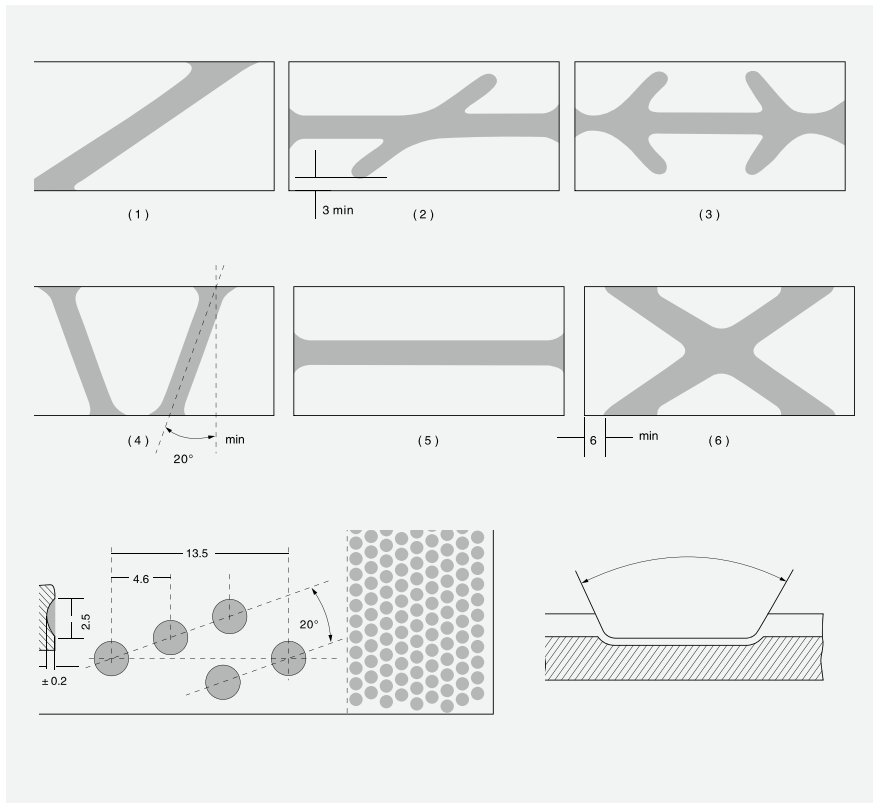


JF-800 双金属自润滑轴套

JF-800 Bimetallic Self-lubricating Bushes

双金属自润滑轴承的油槽形状

Bi-metal self lubricating bearings tank shape



可供标准产品：
直套P31，翻边轴套P33。

可供非标产品：
直套，翻边轴套，止推垫片，板材，轴瓦，滑板，钢套组合件。

Standard Size:
Stright Bearing P31, Flange Bearing P33.
Non-Standard Size:
Stright Bearing, Flange Bearing, Thrust washer, Strip, Bearing bushing, Wear strips, Steel combine units.

双金属轴套表面粗糙度

Surface Roughness of Bimetal Bushes

项目 List	精密轴套(尺寸到位) Bronze Surface	轴套钢合金面 Bronze Surface
轴套钢合金面 Bronze Surface	R20.8	R26.3
钢背面 Steel Backing	R21.6	R210
其它表面 Other Surfaces	R22.5	R2100

根据 DIN4768 第一部分 According to DIN4768, Part1

JF-800 双金属自润滑轴套

JF-800 Bimetallic Self-lubricating Bushes

技术参数 Technical Data

性能指标 Performance index		型号 Type	JLB-800	JLB-720	JLB-700	JLB-2	JLB-930
最大承载 P (N/mm ²) Max Load Capacity			150	130	120	100	150
拉伸强度 (N/mm ²) Tensile Strength			185	150	200	200	185
最大线速度 (油润滑) V(m/s) Max Sliding Speed (Oil Lubrication)			5	10	15	25	5
摩擦系数 μ Friction coefficient			0.05 ~ 0.20	0.06 ~ 0.16	0.08 ~ 0.16	0.08 ~ 0.17	0.06 ~ 0.16
最高PV值 N/mm ² ·m/s Max PV Value Limit	脂润滑 Grease lubrication		2.8	2.8	2.5	-	2.8
	油润滑 Oil lubrication		10	10	8	6	-

应用特性 Application Characteristics

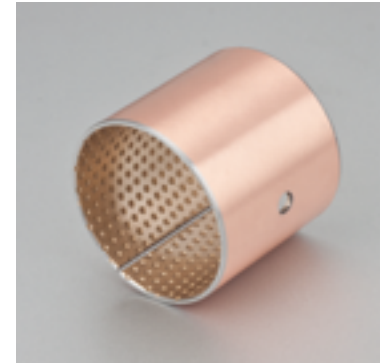
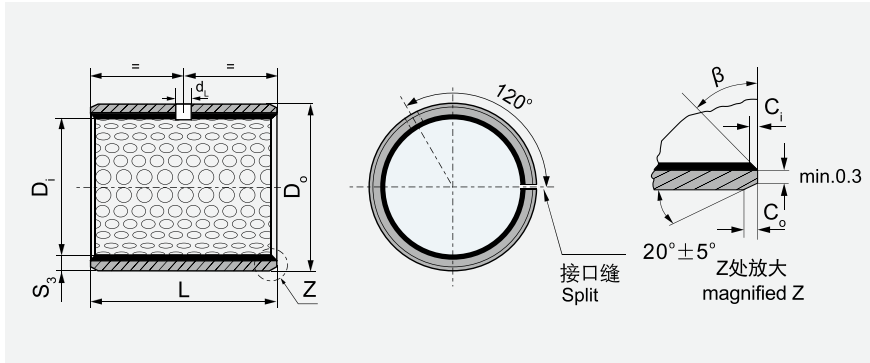
材料牌号 Material Trademark	适用条件 Using Conditions	适用场合 Use Occasions
JLB-800	很高的耐疲劳强度和承载能力，抗冲击能力强，耐磨性、耐腐蚀性好 High resistance to fatigue strength and load capacity, with high shock resistance good wearing and good corrosion resistance.	中速、高冲击载荷的衬套，内燃机连杆活塞销衬套 Fit for middle load, high speed, bushes, washer and connecting rod bearing in internal combustion engine used in machinical equipment and high shock bushing.
JLB-720	较高的耐疲劳强度和承载能力、较好的滑动性能，易受润滑油腐蚀 Good resistance to fatigue strength and high load capacity, good performance of sliding, liable to be corrupted by lubricating oil.	中载中速、高速内燃机主轴套和连杆轴套 middle load middle speed, principle axis of internal combustion engine.
JLB-700	较高的耐疲劳强度、承载能力、抗冲击能力 Good resistance to fatigue strength, load capacity, shock resistance.	用于内燃机主轴和连杆轴承、止推垫片 Principle axis of internal combustion engine, connecting rod bushing.
JLB-2	良好的抗咬性、异物埋没性，工作表面镀软合金层 Good performance of anti-seizing, covering eyewinker, soft alloy be plated on working surface.	高速中低载荷的内燃机主轴套，连杆轴套 High speed, middle or low load, principle axis internal combustion engine
JLB-930	中等的耐疲劳强度和承载能力，良好的抗腐蚀性能，较好轴承滑动性能。 Moderate fatigue strength, and load capacity, good wrrosion resistance good performance of bearing sliding.	高速低载的内燃机轴瓦、气压机、制冷机轴套 High speed, low load, internal combustion engine half bearing, bushing used in compressing and refrigerating machine.

JF-800 双金属翻边轴承规格及公差 JF-800 Bimetal Flange Bushing Specification & Tolerance



JF-800 双金属轴承规格及公差

JF-800 Bimetal Sleeve Bushing Specification & Tolerance



内外倒角 ID and OD chamfers

S ₃	C _o	C _i	β
0.75	0.5 ± 0.3	0.25 ± 0.2	35° ± 5°
1.00	0.6 ± 0.3	0.30 ± 0.2	35° ± 5°
1.50	0.7 ± 0.3	0.50 ± 0.3	35° ± 5°

S ₃	C _o	C _i	β
2.00	1.2 ± 0.4	0.50 ± 0.3	35° ± 5°
2.50	1.8 ± 0.6	0.60 ± 0.3	45° ± 5°

 单位unit:mm²

内径 D _i φ d	外径 D _o φ D	轴径(h8) Shaft D _s	座孔(H7) Housing D _H	压装后 内孔公差 Arter fixed D _{ia}	配合间隙 Clearance C _D	壁厚 Wall thickness S ₃	油孔 Oil hole d _L	长度 L ⁰ _{-0.40}						
								10	15	20	25	30	40	50
10	12	10 -0.022	12 +0.018	+0.148 +0.010	0.170 0.010	0.995 0.935	4	1010	1015	1020				
12	14	12 -0.027	14 +0.018		0.175 0.010			1210	1215	1220				
14	16	14 -0.027	16 +0.018		1410			1415	1420					
15	17	15 -0.027	17 +0.018		1510			1515	1520					
16	18	16 -0.027	18 +0.018		1610			1615	1620					
18	20	18 -0.027	20 +0.021		+0.151 +0.010			0.178 0.010	1810	1815	1820	1825		
20	23	20 -0.033	23 +0.021	+0.161 +0.020	0.194 0.020	1.490 1.430	6	2010	2015	2020	2025			
22	25	22 -0.033	25 +0.021					2210	2215	2220	2225			
24	27	24 -0.033	27 +0.021					2410	2415	2420	2425	2430		
25	28	25 -0.033	28 +0.021					2510	2515	2520	2525	2530		
26	30	26 -0.033	30 +0.021	+0.181 +0.040	0.214 0.040	1.980 1.920	8	2610	2615	2620	2625	2630		
28	32	28 -0.033	32 +0.025	+0.185 +0.040	0.218 0.040			2810	2815	2820	2825	2830	2840	
30	34	30 -0.033	34 +0.025					3010	3015	3020	3025	3030	3040	
32	36	32 -0.039	36 +0.025					3210	3215	3220	3225	3230	3240	
35	39	35 -0.039	39 +0.025					3510	3515	3520	3525	3530	3540	3550
38	42	38 -0.039	42 +0.025	0.224 0.040	3810			3815	3820	3825	3830	3840	3850	
40	44	40 -0.039	44 +0.025		4010	4015	4020	4025	4030	4040	4050			

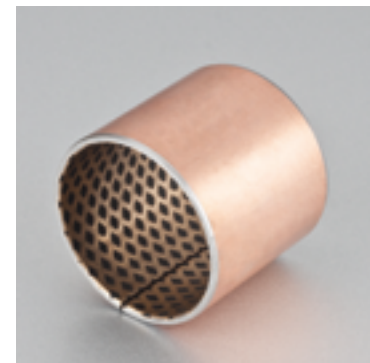
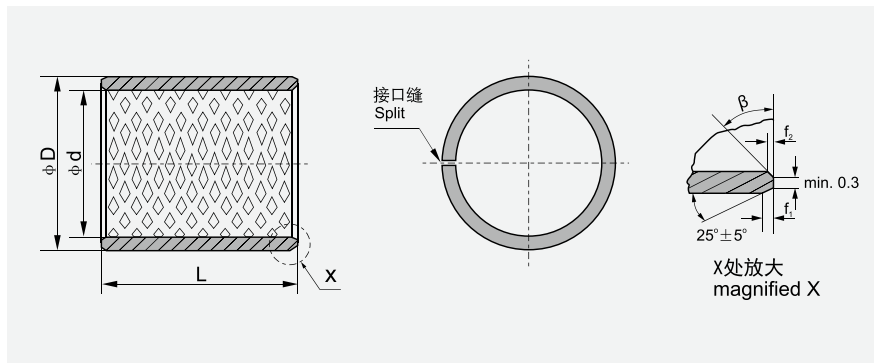
JF-800 双金属轴承规格及公差

JF-800 Bimetal Sleeve Bushing Specification & Tolerance

内径 D _i φ d	外径 D _o φ D	轴径(h8) Shaft D _s		座孔(H7) Housing D _H		压装后 内孔公差 Arter fixed D _{1a}	配合间隙 Clearance C _D	壁厚 Wall thickness S ₃	油孔 Oil hole d _L	长度 L ⁰ _{-0.40}								
										25	30	40	50	60	80	90	100	
45	50	45	-0.039	50	+0.025	+0.225 +0.080	0.264 0.080	2.460 2.400	8	4525	4530	4540	4550					
50	55	50	-0.039	55	+0.030	+0.230 +0.080	0.269 0.080				5030	5040	5050	5060				
55	60	55	-0.046	60	+0.030						5530	5540	5550	5560				
60	65	60	-0.046	65	+0.030						6030	6040	6050	6060				
65	70	65	-0.046	70	+0.030					0.276 0.080	6530	6540	6550	6560				
70	75	70	-0.046	75	+0.030						7030	7040	7050	7060	7080			
75	80	75	-0.046	80	+0.030						7530	7540	7550	7560	7580			
80	85	80	-0.046	85	+0.035	+0.235 +0.080	0.281 0.080			8030	8040	8050	8060	8080	8090			
85	90	85	-0.054	90	+0.035					8530	8540	8550	8560	8580	8590	85100		
90	95	90	-0.054	95	+0.035						9040	9050	9060	9080	9090	90100		
95	100	95	-0.054	100	+0.035							9550	9560	9580	9590	95100		
100	105	100	-0.054	105	+0.035				0.289 0.080				10050	10060	10080	10090	100100	
105	110	105	-0.054	110	+0.035								10550	10560	10580	10590	105100	
110	115	110	-0.054	115	+0.035	+0.240 +0.080	0.303 0.080		9.5				11050	11060	11080	11090	110100	
115	120	115	-0.054	120	+0.035										11550	11560	11580	11590
120	125	120	-0.054	125	+0.040									12050	12060	12080	12090	120100
125	130	125	-0.063	130	+0.040										12560	12580	12590	125100
130	135	130	-0.063	135	+0.040										13060	13080	13090	130100
135	140	135	-0.063	140	+0.040										13560	13580	13590	135100
140	145	140	-0.063	145	+0.040							14060	14080	14090	140100			
150	155	150	-0.063	155	+0.040							15060	15080	15090	150100			

FB08G 双金属固体卷制轴承规格及公差

FB08G Bimetallic solid rolling bearings Specification & Tolerance


 单位 Unit: mm²

d	D	f ₁	f ₂	L ⁰ _{-0.40}																						
				10	15	20	25	30	35	40	50	60	70	80	90	100										
10	12	0.3	0.5	1010	1015	1020																				
12	14			1210	1215	1220																				
14	16			1410	1415	1420	1425																			
15	17			1510	1515	1520	1525																			
16	18			1610	1615	1620	1625																			
18	20			1810	1815	1820	1825																			
20	23	0.8	0.4	2010	2015	2020	2025																			
22	25			2210	2215	2220	2225	2230																		
24	27				2415	2420	2425	2430																		
25	28				2515	2520	2525	2530																		
28	32				2815	2820	2825	2830																		
30	34				3015	3020	3025	3030	3035	3040																
32	36	1.0	0.6		3215	3220	3225	3230	3235	3240																
35	39				3515	3520	3525	3530	3535	3540																
40	44					4020	4025	4030	4035	4040	4050															
45	50					4520	4525	4530	4535	4540	4550															
50	55					5020	5025	5030	5035	5040	5050	5060														
55	60			1.2			5520	5525	5530	5535	5540	5550	5560													
60	65					6025	6030	6035	6040	6050	6060	6070														
65	70						6530	6535	6540	6550	6560	6570														
70	75							7030	7035	7040	7050	7060	7070	7080												
75	80							7530	7535	7540	7550	7560	7570	7580												
80	85							8030	8035	8040	8050	8060	8070	8080												
85	90	1.4	0.8					8540	8550	8560	8570	8580	8590													
90	95								9040	9050	9060	9070	9080	9090												
95	100										9550	9560	9570	9580	9590	95100										
100	105											10050	10060	10070	10080	10090	100100									
105	110												10550	10560	10570	10580	10590	105100								
110	115													11050	11060	11070	11080	11090	110100							
115	120												11550	11560	11570	11580	11590	115100								
120	125													12060	12070	12080	12090	120100								
125	130														12560	12570	12580	12590	125100							
130	135															13060	13070	13080	13090	130100						
135	140																13560	13570	13580	13590	135100					
140	145																	14060	14070	14080	14090	140100				
145	150																		14560	14570	14580	14590	145100			
150	155																			15060	15070	15080	15090	150100		
155	160																				15560	15570	15580	15590	155100	
160	165																					16060	16070	16080	16090	160100