

LIN 塑料直线轴承
LIN Plastic Linear Bearings



LIN 塑料直线轴承
LIN Plastic Linear Bearings

LIN 系列直线轴承

LIN Series Linear Bearings



产品特性 Product Features

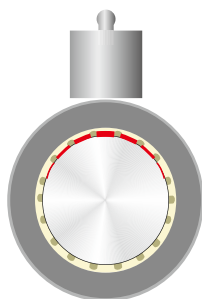
- 自润滑免维护塑料直线轴承。无噪音运行。适合在极其恶劣的粉尘环境中连续使用。允许被食品药品包装机械清洗液清洗。对轴材料硬度以及安装孔的精度要求较低。
 - 免维护、长期干运行、无噪音；
 - 适合灰尘中长期运行；
 - 耐腐蚀，适合用消毒液清洗；
 - 斜槽设计更强的对轴保护能力；
 - 减小了槽宽以增强承载能力；
 - 安装和替换简易；
 - 适合轻量化设计。
- Maintenance free plastic linear bearing. Low noise operation is suitable for continuously application under the critical dusty environment. It is washable by the clean detergent of the food machine. There is no critical requirement about the shaft hardness or the mounting holes of the housing;
 - Maintenance-free, Drying working, noiseless;
 - Suitable for long-time running in dusty environment;
 - Corrosion resistance; Cleaning with disinfectant lotion;
 - Inclined groove designation provides better protection to the shaft;
 - Narrowed groove improves the load capacity;
 - Easy installation and replacement;
 - Suitable for lightweight design.

LIN 直线轴承高承载能力

LIN series bearing with high loading capability

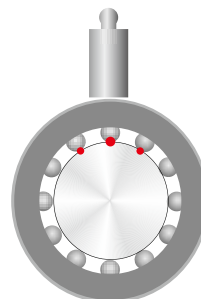
LIN 直线轴承作为一种直线滑动轴承，工作面是以面形式与轴表面接触，而转动的滚珠直线轴承是以点线的形式和轴表面接触；这就决定了较大接触面的 LIN 系列直线轴承具有比滚珠直线轴承更高的承载能力。

As a linear sliding bearings, the contacting of the bearing and the shaft is a surface instead of point contact of the traditional ball bearings. So it results in that the surface contacting LIN series linear sliding bearings are with better loading capability than the sliding ball bearings.



LIN 直线滑动轴承
LIN Linear bearing

高载
High load



滚动直线轴承
Ball linear bearing

轻载
Low load

LIN 系列塑料轴承 LIN Series Linear Bearings

LIN 直线轴承在污垢，灰尘中干运行 LIN series linear sliding bearing used in critical of containments and dusts



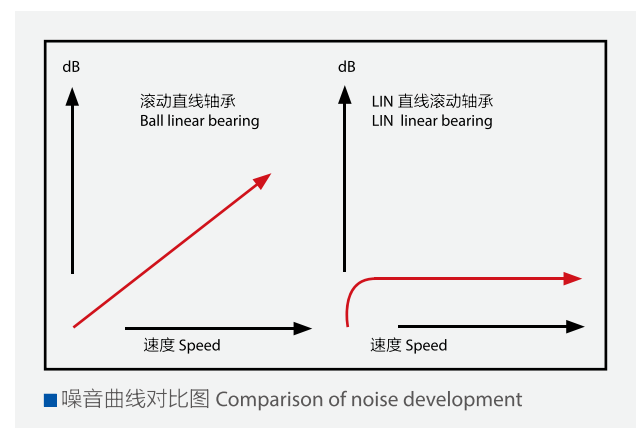
LIN 直线轴承滑动膜是专门为干运行而开发的高性能材料；特殊的专利结构设计允许轴承在污垢、灰尘或沙粒中平稳运行，螺旋式结构设计能使得脏物很快速的落入到设计的凹槽中，并通过不断的直线运动最终被从凹槽中帶出直线轴承系统。而传统的金属滚动直线轴承在有污垢、灰尘或沙粒存在的情况下会很容易出现卡死、跑珠等现象而卡死，甚至会因卡死现象导致轴被拉伤。

LIN series sliding membrane is an excellent material specially designed for dry operation. The patented designation of this material allows the bearing to be used in the critical conditions such as in containments and dusts. The spiral groove designation allows the containments or dusts entering the grooves and be brought out of the bearing system finally while the traditional sliding ball bearings will be blocked by the entered containments and therefore cause the breakout of the bearing system causing shaft or bearing damages.

LIN 直线轴承在污垢，灰尘中干运行 LIN series linear sliding bearing operation with low noise

金属滚珠直线轴承由于滚珠在运动过程中与保持架体之间的撞击所发出的噪音，而且这种噪音会随着速度的加快而增高。但 LIN 直线轴承的工作面为滑动摩擦设计，所以在运行过程中只能发出较低的摩擦声，运行噪音非常低。

Metal ball sliding bearings generates high noise by the crashing of balls to the shafts during the operation and the noise will be sharply increased when the operation speed goes higher while the LIN series linear sliding bearings are with the surface contacting structure which ensures a lower operation noise level.



LIN 直线轴承允许经常接触清洗液 LIN series linear sliding bearing allows the access of cleaning solution

LIN 直线轴承被经常用于食品包装机械的导向机构中，经常受到清洗液的冲刷；多年的使用证明 LIN 直线轴承正如所设计的那样足够抵抗各类碱性清洗液的腐蚀，甚至能整体浸泡在液体介质中运行。

As a linear sliding bearings, the contacting of the bearing and the shaft is a surface instead of point contact of the traditional ball bearing. So it results in that the surface contacting LIN series sliding bearings are with better loading capability than the sliding ball bearings are with better loading capability than the sliding ball bearings.

LIN 系列直线轴承

LIN Series Linear Bearings

滑动膜性能数据表 Sliding Membrane Material Data Sheets

一般性能 Common Capability	试验方法 Testing Method	单位 Unit	LIN
密度 Density	ISO1183	g/cm ³	1.48
颜色 Color			黄色 Yellow
对钢的动摩擦系数 Dynamic friction/steel(dry)			0.05-0.15
最大 PV 值 Max.PV (dry)		n/mm ² × m/s	0.4
最大旋转速度值 Max.rotating velocity		m/s	1.5
最大摇摆速度值 Max.oscillating velocity		m/s	1.1
最大直线速度值 Max.linear velocity		m/s	8.0
抗拉强度 Tensile strength	ISO527	MPa	75
抗压强度 (轴向) Coppersive strength(Axial)		MPa	60
弹性模量 E-module	ISO527	MPa	2400
允许最大表面静压力 (20°C) Max.static pressure of the surface, 20°C		MPa	35
洛氏硬度 Rockwell hardness	ISO2039-2	HRR	107
连续工作温度 continuous work temperature		°C	-50/90
短时运行温度 Short-time		°C	-50/120
导热性 Thermal conductivity	ASTME1461	W/m k	0.25
线性热膨胀系数 Linear coef.of thermal eapansion	ASTMD696	K ⁻¹ × 10 ⁻⁵	9
RH50/23°C时的吸湿性 Moisture absorption RH50/23°C	ASTMD570	%	0.3
燃烧性能 Flammability	UL94		HB
体电阻率 Volume resistivity	IEC60093	Ω cm	> 10 ¹³
面电阻率 Surface resistivity	IEC60093	Ω	> 10 ¹²

LIN 直线轴承承载能力 LIN Load Capacity

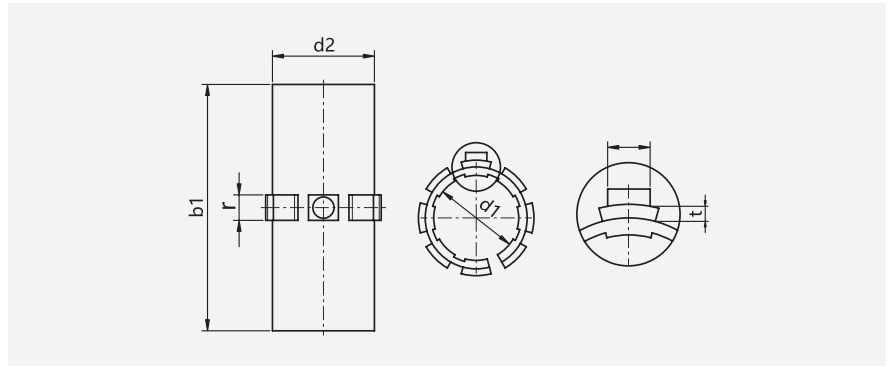
滑动膜材料: LIN
 Sliding membrane material:LIN

公称内径 Inside nominal diameter	最大许可动载荷 Dynamic Load P=5MPa		最大许可动载荷 Max.Static Load P=35MPa	
	LIN-01 滑动膜系列 LIN-01 series of sliding membranes	LIN-02 滑动膜系列 LIN-02 series of sliding membranes	LIN-01 滑动膜系列 LIN-01 series of sliding membranes	LIN-02 滑动膜系列 LIN-02 series of sliding membranes
10	870N	780N	6090N	5460N
12	1152N	1008N	8064N	7056N
16	1728N	1440N	12096N	10080N
20	2700N	1800N	18900N	12600N
25	4350N	3000N	30650N	21000N
30	6120N	4500N	42840N	31500N
40	9600N	7200N	67200N	50400N
50	15000N	10500N	105000N	73500N

LIN 系列塑料轴承

LIN Series Linear Bearings technology

LIN-01 系列滑动膜 LIN-01 Series of Sliding Membranes

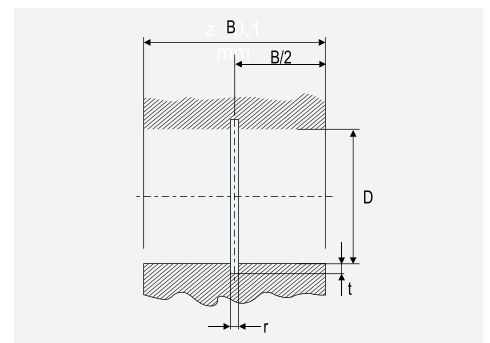


座孔 Housing:H7 轴 Shaft:h6-h9

订购编码 Order P/N	d1 mm ²	公差 Tolerance mm ²	d2 mm ²	b1 mm ²	r(-0.1/-0.2) mm ²	重量 Weight g
LIN-01-10	10	+0.030/-0.070	12	29	3.0	1.3
LIN-01-12	12	+0.030/-0.070	14	31	3.0	1.6
LIN-01-16	16	+0.030/-0.070	18	35	3.5	2.2
LIN-01-20	20	+0.030/-0.070	23	44	5.0	5.0
LIN-01-25	25	+0.030/-0.070	28	57	5.0	8.0
LIN-01-30	30	+0.040/-0.085	34	67	5.0	15.1
LIN-01-40	40	+0.040/-0.085	44	79	6.0	25.6
LIN-01-50	50	+0.040/-0.085	55	99	7.0	50.6

装配尺寸 Installation size

订购编码 Order P/N	轴径 Shaft mm ²	D mm ² h7	B mm ² h10	r mm ²	t mm ²
LIN-01-10	10	12	29	3.0	1.0
LIN-01-12	12	14	32	3.0	1.0
LIN-01-16	16	18	36	3.5	1.0
LIN-01-20	20	23	45	5.0	1.0
LIN-01-25	25	28	58	5.0	1.0
LIN-01-30	30	34	68	5.0	1.0
LIN-01-40	40	44	80	6.0	1.5
LIN-01-50	50	55	100	7.0	1.5



配合 LIN-01 系列滑动膜产品系列: Membranes of the LIN-01 Series are used in:



订购编码 Order P/N:

LIN-01 - 10

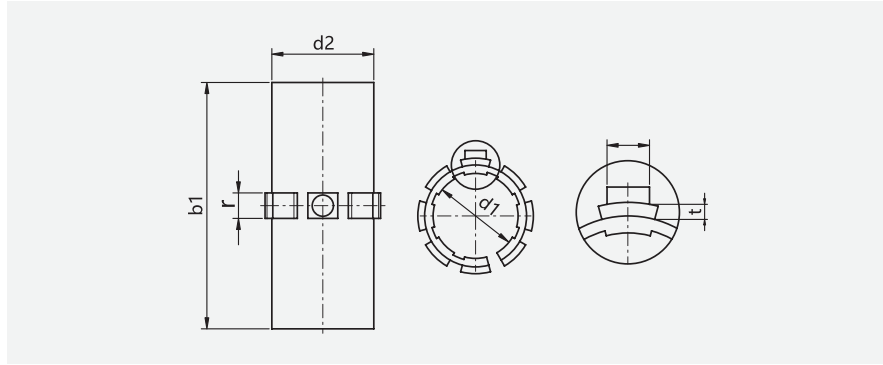
内径 Inner diameter

 标准开口系列 01K
Standard split type 01K

LIN 系列塑料轴承

LIN Series Linear Bearings technology

LIN-02 系列滑动膜 LIN-02 Series of Sliding Membranes

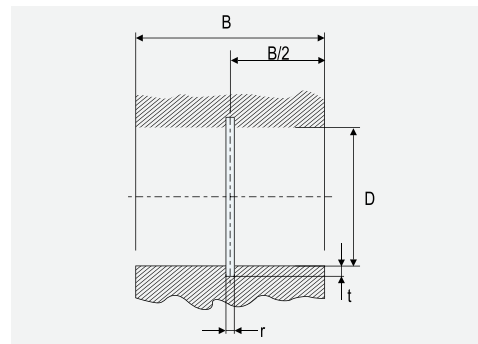


座孔 Housing:H7 轴 Shaft:h6-h9

订购编码 Order P/N	d1 mm ²	公差 Tolerance mm ²	d2 mm ²	b1 mm ²	r(-0.1/-0.2) mm ²	重量 Weight g
LIN-02-10	10	+0.030/-0.070	12	25	3.0	1.1
LIN-02-12	12	+0.030/-0.070	14	27	3.0	1.4
LIN-02-16	16	+0.030/-0.070	18	29	3.5	1.9
LIN-02-20	20	+0.030/-0.070	23	29	5.0	3.3
LIN-02-25	25	+0.030/-0.070	28	39	5.0	5.5
LIN-02-30	30	+0.040/-0.085	34	49	5.0	11.1
LIN-02-40	40	+0.040/-0.085	44	59	6.0	19.0
LIN-02-50	50	+0.050/-0.100	55	69	7.0	35.3

装配尺寸 Installation size

订购编码 Order P/N	轴径 Shaft mm ²	D mm ² h7	B mm ² h10	r mm ²	t mm ²
LIN-02-10	10	12	26	3.0	1.0
LIN-02-12	12	14	28	3.0	1.0
LIN-02-16	16	18	30	3.5	1.0
LIN-02-20	20	23	30	5.0	1.0
LIN-02-25	25	28	40	5.0	1.0
LIN-02-30	30	34	50	5.0	1.0
LIN-02-40	40	44	60	6.0	1.5
LIN-02-50	50	55	70	7.0	1.5



配合 LIN-02 系列滑动膜产品系列： Membranes of the LIN-02 Series are used in:



订购编码 Order P/N:

LIN-02-10

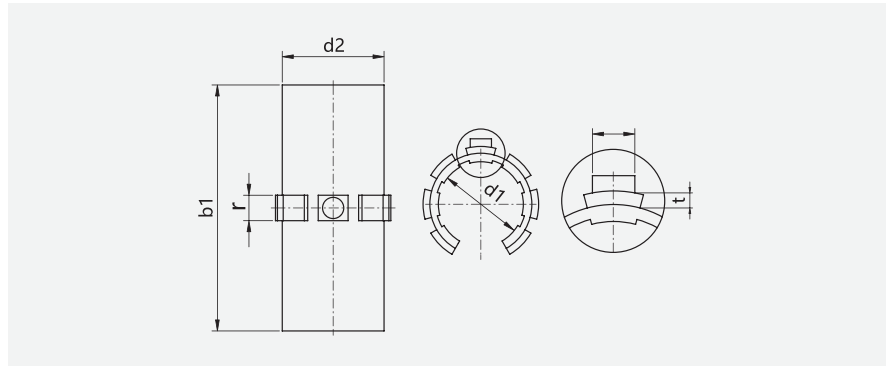
内径 Inner diameter

 标准开口系列 02
Standard series02

LIN 系列塑料轴承

LIN Series Linear Bearings technology

LIN-01K 系列滑动膜 LIN-01K Series of Sliding Membranes

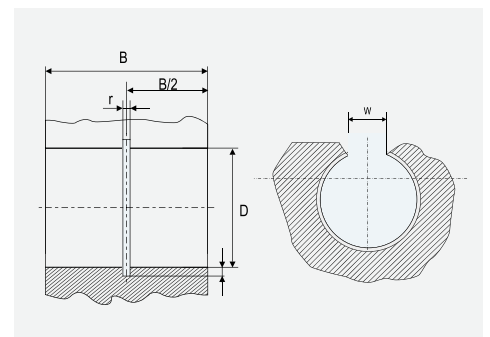


座孔 Housing:h7 轴 Shaft:h6-h9

订购编码 Order P/N	d1 mm ²	公差 Tolerance mm ²	d2 mm ²	b1 mm ²	W+0.2 mm ²	r(-0.1/-0.2) mm ²	重量 Weight g
LIN-01K-10	10	+0.030/-0.070	12	29	7.3	3.0	1.0
LIN-01K-12	12	+0.030/-0.070	14	31	9.0	3.0	1.3
LIN-01K-16	16	+0.030/-0.070	18	35	11.6	3.5	1.9
LIN-01K-20	20	+0.030/-0.070	23	44	12.0	5.0	4.5
LIN-01K-25	25	+0.030/-0.070	28	57	14.5	5.0	7.5
LIN-01K-30	30	+0.040/-0.085	34	67	16.6	5.0	14.5
LIN-01K-40	40	+0.040/-0.085	44	79	21.0	6.0	24.5
LIN-01K-50	50	+0.050/-0.100	55	99	25.5	7.0	49.0

装配尺寸 Installation size

订购编码 Order P/N	轴径 Shaft mm ²	D mm ² h7	B mm ² h10	r mm ²	t mm ²
LIN-01K-10	10	12	29	3.0	2.6
LIN-01K-12	12	14	32	3.0	3.1
LIN-01K-16	16	18	36	3.5	3.6
LIN-01K-20	20	23	45	5.0	3.6
LIN-01K-25	25	28	58	5.0	4.1
LIN-01K-30	30	34	68	5.0	4.1
LIN-01K-40	40	44	80	6.0	5.1
LIN-01K-50	50	55	100	7.0	6.1



配合 LIN-01K 系列滑动膜产品系列: Membranes of the LIN-01K Series are used in:



订购编码 Order P/N:

LIN-01K-10

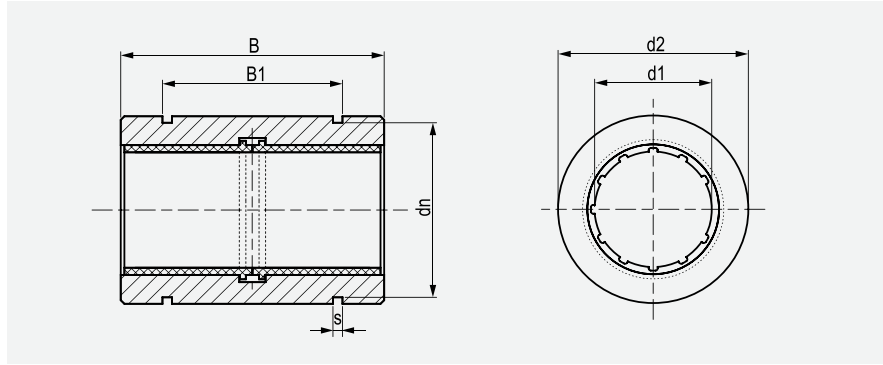
内径 Inner diameter

 标准开口系列 01K
Standard split type 01K

LIN 系列直线轴承

LIN Series Linear Bearings

LIN-01R 系列滑动膜 LIN-01R Linear Bwarrings



座孔 Housing:H7 轴 Shaft:h6-h9

订购编码 Order P/N	d1 mm ²	公差 Tolerance mm ²	d2 h7 mm ²	B h10 mm ²	B1 H10 mm ²	dn h10 mm ²	s H10 mm ²
LIN-01R-10	10	+0.030/+0.088	19	29	21.6	17.5	1.3
LIN-01R-12	12	+0.030/+0.088	22	32	22.6	20.5	1.3
LIN-01R-16	16	+0.030/+0.088	26	36	24.6	24.2	1.3
LIN-01R-20	20	+0.030/+0.091	32	45	31.2	29.6	1.6
LIN-01R-25	25	+0.030/+0.091	40	58	43.7	36.5	1.85
LIN-01R-30	30	+0.040/+0.110	47	68	51.7	43.5	1.85
LIN-01R-40	40	+0.040/+0.115	62	80	60.3	57.8	2.15
LIN-01R-50	50	+0.050/+0.130	75	100	77.3	70.5	2.65

订购编码 Order P/N	轴径 Shaft mm ²	座孔 Housing mm ² H7	公差 Tolerance mm ²	极限动载荷 Dynamic Load P=5MPa	极限静载荷 Static Load P=35Mpa	重量 (g) Weight
LIN-01R-10	10	19	0/+0.021	870N	6090N	12
LIN-01R-12	12	22	0/+0.021	1152N	8064N	20
LIN-01R-16	16	26	0/+0.021	1728N	12096N	28
LIN-01R-20	20	32	0/+0.025	2700N	18900N	50
LIN-01R-25	25	40	0/+0.025	4350N	30650N	104
LIN-01R-30	30	47	0/+0.025	6120N	42840N	163
LIN-01R-40	40	62	0/+0.030	9600N	67200N	341
LIN-01R-50	50	75	0/+0.030	15000N	105000N	589

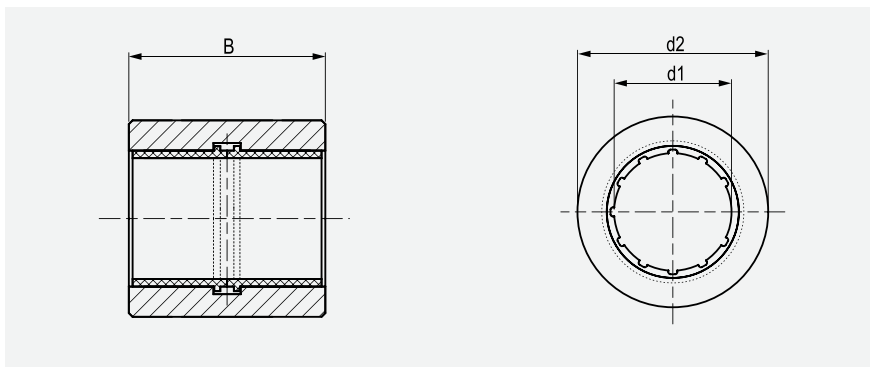
订购编码 Order P/N: LIN-01 R-10

- 内径 Inner diameter
- 保持器 Aluminum housing
- LIN-01 系列标准滑动膜
Standard membranes type LIN-01

LIN 系列直线轴承

LIN Series Linear Bearings

LIN-02R 系列直线轴承 LIN-02R Linear Bearings

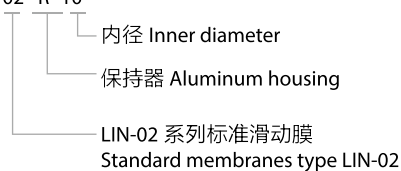


座孔 Housing:H7 轴 Shaft:h6-h9

订购编码 Order P/N	d1 mm	公差 Tolerance mm	d2 h7 mm	B h10 mm
LIN-02R-10	10	+0.030/+0.088	17	26
LIN-02R-12	12	+0.030/+0.088	19	28
LIN-02R-16	16	+0.030/+0.088	24	30
LIN-02R-20	20	+0.030/+0.091	28	30
LIN-02R-25	25	+0.030/+0.091	35	40
LIN-02R-30	30	+0.040/+0.110	40	50
LIN-02R-40	40	+0.040/+0.115	52	60
LIN-02R-50	50	+0.050/+0.130	62	70

订购编码 Order P/N	轴径 Shaft mm ²	座孔 Housing mm ² H7	公差 Tolerance mm ²	极限动载荷 Dynamic Load P=5MPa	极限静载荷 Static Load P=35Mpa	重量 (g) Weight
LIN-02R-10	10	17	0/+0.018	780N	5460N	9
LIN-02R-12	12	19	0/+0.021	1008N	7056N	11
LIN-02R-16	16	24	0/+0.021	1440N	10080N	17
LIN-02R-20	20	28	0/+0.021	1800N	12600N	18
LIN-02R-25	25	35	0/+0.025	3000N	21000N	41
LIN-02R-30	30	40	0/+0.025	4500N	31500N	56
LIN-02R-40	40	52	0/+0.030	7200N	50400N	113
LIN-02R-50	50	62	0/+0.030	10500N	73500N	152

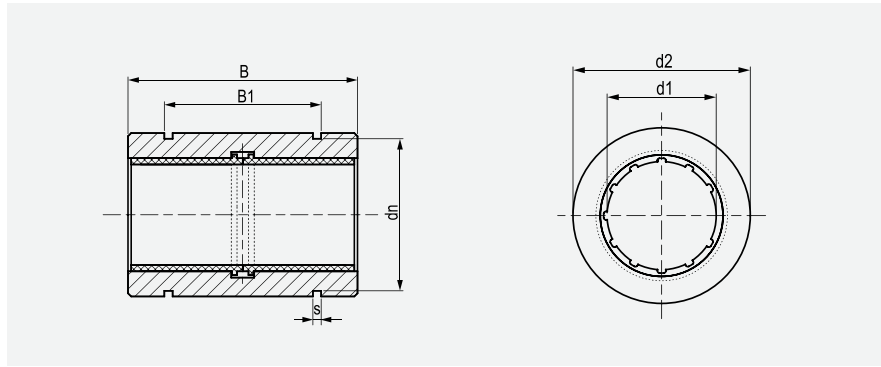
订购编码 Order P/N: LIN-02 R-10



LIN 系列直线轴承

LIN Series Linear Bearings

LIN-01RS 系列滑动膜 LIN-01RS Linear Bwarings

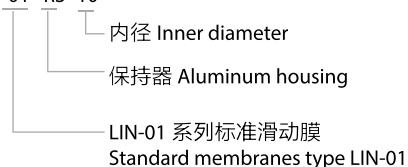


座孔 Housing:H7 轴 Shaft:h6-h9

订购编码 Order P/N	d1 mm ²	公差 Tolerance mm ²	d2 h7 mm ²	B h10 mm ²	B1 H10 mm ²	dn h10 mm ²	s H10 mm ²
LIN-01RS-10	10	+0.030/+0.088	19	29	21.6	17.5	1.3
LIN-01RS-12	12	+0.030/+0.088	22	32	22.6	20.5	1.3
LIN-01RS-16	16	+0.030/+0.088	26	36	24.6	24.2	1.3
LIN-01RS-20	20	+0.030/+0.091	32	45	31.2	29.6	1.6
LIN-01RS-25	25	+0.030/+0.091	40	58	43.7	36.5	1.85
LIN-01RS-30	30	+0.040/+0.110	47	68	51.7	43.5	1.85
LIN-01RS-40	40	+0.040/+0.115	62	80	60.3	57.8	2.15
LIN-01RS-50	50	+0.050/+0.130	75	100	77.3	70.5	2.65

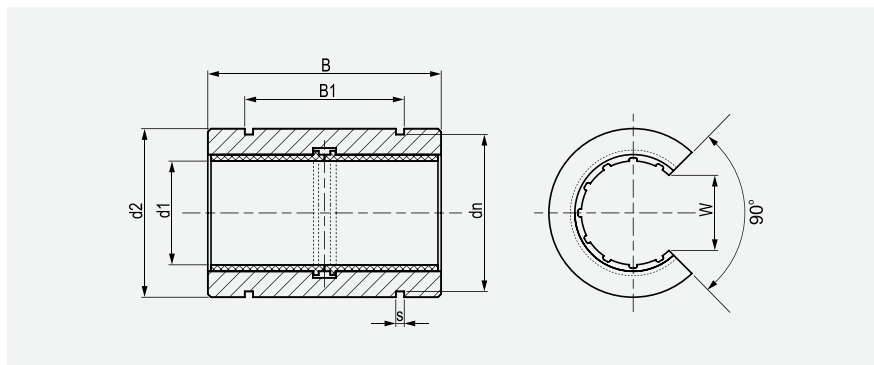
订购编码 Order P/N	轴径 Shaft mm ²	座孔 Housing mm ² H7	公差 Tolerance mm ²	极限动载荷 Dynamic Load P=5MPa	极限静载荷 Static Load P=35Mpa	重量 (g) Weight
LIN-01RS-10	10	19	0/+0.021	870N	6090N	12
LIN-01RS-12	12	22	0/+0.021	1152N	8064N	20
LIN-01RS-16	16	26	0/+0.021	1728N	12096N	28
LIN-01RS-20	20	32	0/+0.025	2700N	18900N	50
LIN-01RS-25	25	40	0/+0.025	4350N	30650N	104
LIN-01RS-30	30	47	0/+0.025	6120N	42840N	163
LIN-01RS-40	40	62	0/+0.030	9600N	67200N	341
LIN-01RS-50	50	75	0/+0.030	15000N	105000N	589

订购编码 Order P/N: LIN-01 RS-10



LIN 系列直线轴承 LIN Series Linear Bearings

LIN-01RK 系列直线轴承 LIN-01RK Linear Bearings

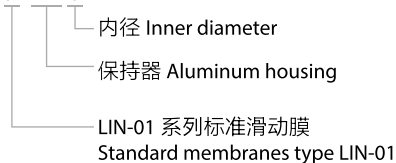


座孔 Housing:H7 轴 Shaft:h6-h9

订购编码 Order P/N	d1 mm ²	公差 Tolerance mm ²	d2 h7 mm ²	B h10 mm ²	B1 H10 mm ²	W mm ²	s H10 mm ²	dn h10 mm ²
LIN-01RK-10	10	+0.030/+0.088	19	29	21.6	7.3	1.30	17.5
LIN-01RK-12	12	+0.030/+0.088	22	32	22.6	9.0	1.30	20.5
LIN-01RK-16	16	+0.030/+0.088	26	36	24.6	11.6	1.30	24.2
LIN-01RK-20	20	+0.030/+0.091	32	45	31.2	12.0	1.60	29.6
LIN-01RK-25	25	+0.030/+0.091	40	58	43.7	14.5	1.85	36.5
LIN-01RK-30	30	+0.040/+0.110	47	68	51.7	16.6	1.85	43.5
LIN-01RK-40	40	+0.040/+0.115	62	80	60.3	21.0	2.15	57.8
LIN-01RK-50	50	+0.050/+0.130	75	100	77.3	25.5	2.65	70.5

订购编码 Order P/N	轴径 Shaft mm ²	座孔 Housing mm ² H7	公差 Tolerance mm ²	极限动载荷 Dynamic Load P=5MPa	极限静载荷 Static Load P=35Mpa	重量 (g) Weight
LIN-01RK-10	10	19	0/+0.021	870N	6090N	9
LIN-01RK-12	12	22	0/+0.021	1152N	8064N	15
LIN-01RK-16	16	26	0/+0.021	1728N	12096N	21
LIN-01RK-20	20	32	0/+0.025	2700N	18900N	37
LIN-01RK-25	25	40	0/+0.025	4350N	30650N	78
LIN-01RK-30	30	47	0/+0.025	6120N	42840N	122
LIN-01RK-40	40	62	0/+0.030	9600N	67200N	256
LIN-01RK-50	50	75	0/+0.030	15000N	105000N	442

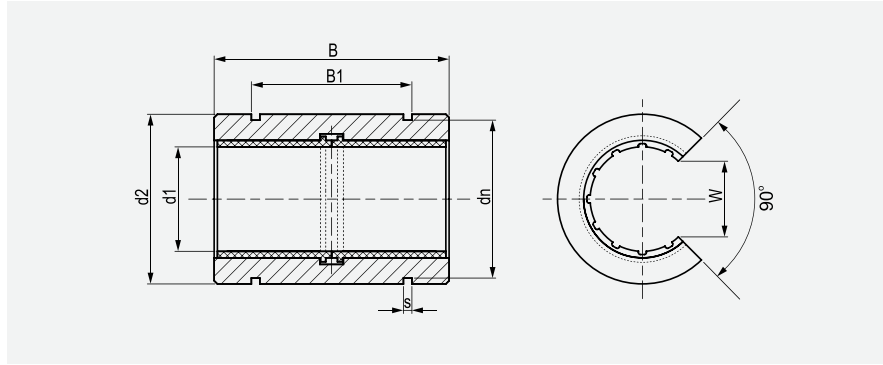
订购编码 Order P/N: LIN-01 RK-10



LIN 系列直线轴承

LIN Series Linear Bearings

LIN-01RSK 系列直线轴承 LIN-01RSK Linear Bearings

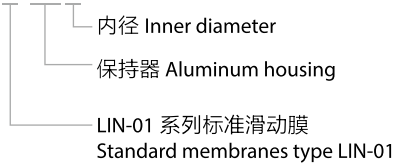


座孔 Housing:H7 轴 Shaft:h6-h9

订购编码 Order P/N	d1 mm ²	公差 Tolerance mm ²	d2 h7 mm ²	B h10 mm ²	B1 H10 mm ²	W mm ²	s H10 mm ²	dn h10 mm ²
LIN-01RSK-10	10	+0.030/+0.088	19	29	21.6	7.3	1.30	17.5
LIN-01RSK-12	12	+0.030/+0.088	22	32	22.6	9.0	1.30	20.5
LIN-01RSK-16	16	+0.030/+0.088	26	36	24.6	11.6	1.30	24.2
LIN-01RSK-20	20	+0.030/+0.091	32	45	31.2	12.0	1.60	29.6
LIN-01RSK-25	25	+0.030/+0.091	40	58	43.7	14.5	1.85	36.5
LIN-01RSK-30	30	+0.040/+0.110	47	68	51.7	16.6	1.85	43.5
LIN-01RSK-40	40	+0.040/+0.115	62	80	60.3	21.0	2.15	57.8
LIN-01RSK-50	50	+0.050/+0.130	75	100	77.3	25.5	2.65	70.5

订购编码 Order P/N	轴径 Shaft mm ²	座孔 Housing mm ² H7	公差 Tolerance mm ²	极限动载荷 Dynamic Load P=5MPa	极限静载荷 Static Load P=35Mpa	重量 (g) Weight
LIN-01RSK-10	10	19	0/+0.021	870N	6090N	9
LIN-01RSK-12	12	22	0/+0.021	1152N	8064N	15
LIN-01RSK-16	16	26	0/+0.021	1728N	12096N	21
LIN-01RSK-20	20	32	0/+0.025	2700N	18900N	37
LIN-01RSK-25	25	40	0/+0.025	4350N	30650N	78
LIN-01RSK-30	30	47	0/+0.025	6120N	42840N	122
LIN-01RSK-40	40	62	0/+0.030	9600N	67200N	256
LIN-01RSK-50	50	75	0/+0.030	15000N	105000N	442

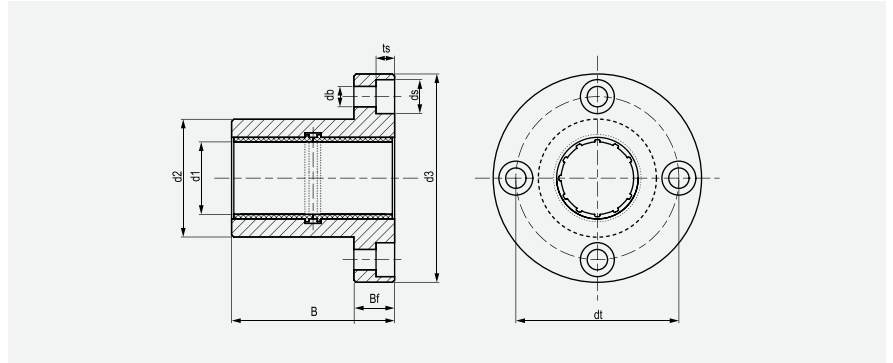
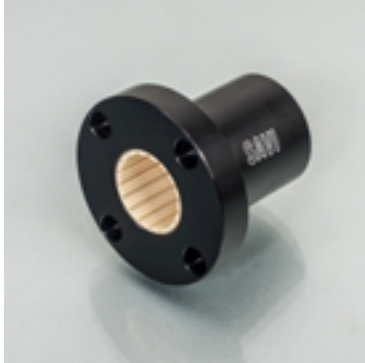
订购编码 Order P/N: LIN-01 RSK-10



LIN 系列直线轴承

LIN Series Linear Bearings

LIN-01RF 系列直线轴承 LIN-01RF Linear Bearings



座孔 Housing:H7 轴 Shaft:h6-h9

订购编码 Order P/N	d1 mm ²	公差 Tolerance mm ²	d2 h7 mm ²	dt mm ²	d3 mm ²	B mm ²	Bf mm ²	ts mm ²	db mm ²	ds mm ²
LIN-01RF-10	10	+0.030/+0.088	19	29	39	29	9	4.1	4.5	7.5
LIN-01RF-12	12	+0.030/+0.088	22	32	42	32	9	4.1	4.5	7.5
LIN-01RF-16	16	+0.030/+0.088	26	36	46	36	9	4.1	4.5	7.5
LIN-01RF-20	20	+0.030/+0.091	32	43	54	45	11	5.1	5.5	9.0
LIN-01RF-25	25	+0.030/+0.091	40	51	62	58	11	5.1	5.5	9.0
LIN-01RF-30	30	+0.040/+0.110	47	62	76	68	14	6.1	6.6	11.0
LIN-01RF-40	40	+0.040/+0.115	62	80	98	80	18	8.1	9.0	14.0
LIN-01RF-50	50	+0.050/+0.130	75	94	112	100	18	8.1	9.0	14.0

订购编码 Order P/N	轴径 Shaft mm ²	座孔 Housing mm ² H7	公差 Tolerance mm ²	极限动载荷 Dynamic Load P=5MPa	极限静载荷 Static Load P=35Mpa	重量 (g) Weight
LIN-01RF-10	10	19	0/+0.021	870N	6090N	34
LIN-01RF-12	12	22	0/+0.021	1152N	8064N	43
LIN-01RF-16	16	26	0/+0.021	1728N	12096N	54
LIN-01RF-20	20	32	0/+0.025	2700N	18900N	91
LIN-01RF-25	25	40	0/+0.025	4350N	30650N	154
LIN-01RF-30	30	47	0/+0.025	6120N	42840N	266
LIN-01RF-40	40	62	0/+0.030	9600N	67200N	555
LIN-01RF-50	50	75	0/+0.030	15000N	105000N	852

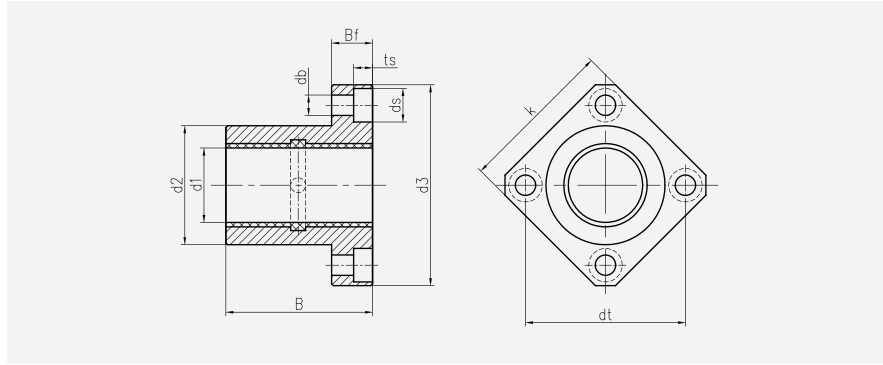
订购编码 Order P/N: LIN-01 RF-10

- 内径 Inner diameter
- 圆法兰保持器
Round Flange Aluminum housing
- LIN-01 系列标准滑动膜
Standard membranes type LIN-01

LIN 系列直线轴承

LIN Series Linear Bearings

LIN-01RT 方法塑料直线轴承 Angular Flange Linear Bearings

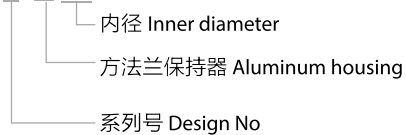


座孔 Housing:H7 轴 Shaft:h6-h9

订购编码 Order P/N	d1 mm ²	d2 mm ²	d3 mm ²	dt mm ²	k mm ²	B mm ²	Bf mm ²	ts mm ²	db mm ²	ds mm ²
LIN-01RT-10	10	19	39	29	30	29	9	4.1	4.5	7.5
LIN-01RT-12	12	22	42	32	32	32	9	4.1	4.5	7.5
LIN-01RT-16	16	26	46	36	35	36	9	4.1	4.5	7.5
LIN-01RT-20	20	32	54	43	42	45	11	5.1	5.5	9.0
LIN-01RT-25	25	40	62	51	50	58	11	5.1	5.5	9.0
LIN-01RT-30	30	47	76	62	60	68	14	6.1	6.6	11.0
LIN-01RT-40	40	62	98	80	75	80	18	8.1	9.0	14.0
LIN-01RT-50	50	75	112	94	88	100	18	8.1	9.0	14.0

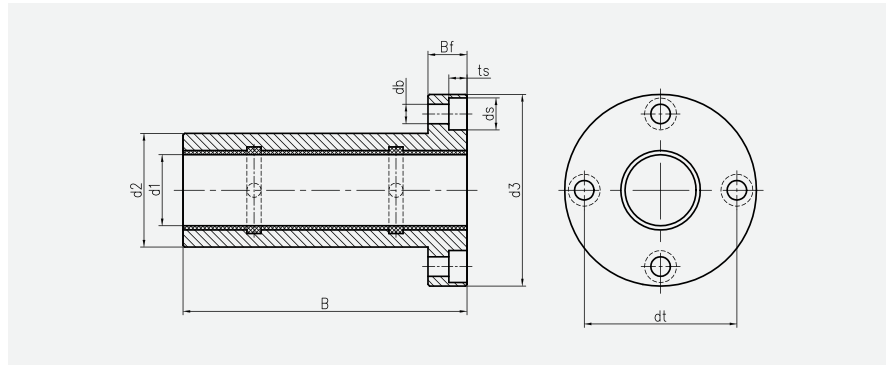
订购编码 Order P/N	轴径 Shaft mm ²	座孔 Housing mm ² H7	公差 Tolerance mm ²	极限动载荷 Dynamic Load P=5MPa	极限静载荷 Static Load P=35Mpa	重量 (g) Weight
LIN-01RT-10	10	19	0/+0.021	870N	6090N	34
LIN-01RT-12	12	22	0/+0.021	1152N	8064N	43
LIN-01RT-16	16	26	0/+0.021	1728N	12096N	54
LIN-01RT-20	20	32	0/+0.025	2700N	18900N	91
LIN-01RT-25	25	40	0/+0.025	2350N	30650N	154
LIN-01RT-30	30	47	0/+0.025	6120N	42840N	266
LIN-01RT-40	40	62	0/+0.030	9600N	67200N	555
LIN-01RT-50	50	75	0/+0.030	15000N	105000N	852

订购编码 Order P/N: LIN-01 RT-10



LIN 系列直线轴承 LIN Series Linear Bearings

LIN-02RFL 加长型方法兰塑料直线轴承 Angular Flange Linear Bearings (Long design)



座孔 Housing:H7 轴 Shaft:h6-h9

订购编码 Order P/N	d1 mm ²	d2 mm ²	d3 mm ²	dt mm ²	k mm ²	B mm ²	Bf mm ²	ts mm ²	db mm ²	ds mm ²
LIN-02RFL-10	10	19	39	29	30	52	9	4.1	4.5	7.5
LIN-02RFL-12	12	22	42	32	32	57	9	4.1	4.5	7.5
LIN-02RFL-16	16	26	46	36	35	70	9	4.1	4.5	7.5
LIN-02RFL-20	20	32	54	43	42	80	11	5.1	5.5	9.0
LIN-02RFL-25	25	40	62	51	50	112	11	5.1	5.5	9.0
LIN-02RFL-30	30	47	76	62	60	123	14	6.1	6.6	11.0
LIN-02RFL-40	40	62	98	80	75	151	18	8.1	9.0	14.0
LIN-02RFL-50	50	75	112	94	88	192	18	8.1	9.0	14.0

订购编码 Order P/N	轴径 Shaft mm ²	公差 Tolerance mm ²	极限动载荷 Dynamic Load P=5MPa	极限静载荷 Static Load P=35Mpa	重量 (g) Weight
LIN-02RFL-10	10	+0.030/+0.080	1300	9100	44
LIN-02RFL-12	12	+0.030/+0.080	1680	11760	57
LIN-02RFL-16	16	+0.030/+0.080	2400	16800	79
LIN-02RFL-20	20	+0.030/+0.091	3000	21000	126
LIN-02RFL-25	25	+0.030/+0.091	5000	35000	249
LIN-02RFL-30	30	+0.030/+0.110	7500	52500	388
LIN-02RFL-40	40	+0.030/+0.115	12000	84000	835
LIN-02RFL-50	50	+0.030/+0.130	17500	122500	1352

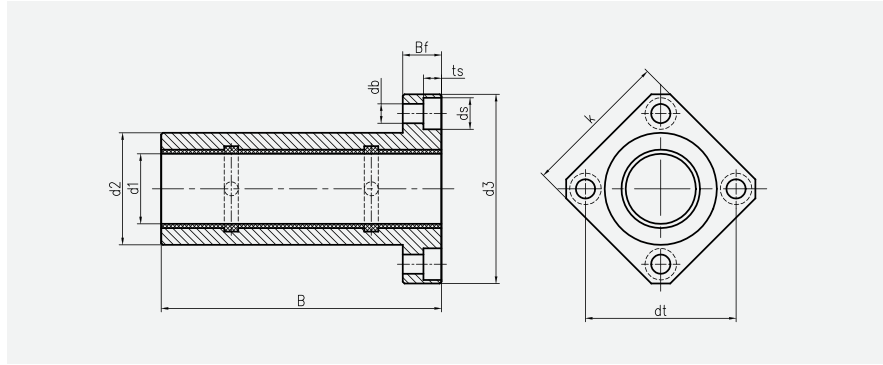
订购编码 Order P/N: LIN-02 RFL-10

- 内径 Inner diameter
- 圆法兰加长型保持器
Round Flange Aluminum housing(Long Design)
- LIN-02 系列标准滑动膜 LIN-02 Standard membranes

LIN 系列直线轴承

LIN Series Linear Bearings

LIN-02RTL 加长型方法兰塑料直线轴承 Angular Flange Linear Bearings (Long design)



座孔 Housing:H7 轴 Shaft:h6-h9

订购编码 Order P/N	d1 mm ²	d2 mm ²	d3 mm ²	dt mm ²	k mm ²	B mm ²	Bf mm ²	ts mm ²	db mm ²	ds mm ²
LIN-02RTL-10	10	19	39	29	30	52	9	4.1	4.5	7.5
LIN-02RTL-12	12	22	42	32	32	57	9	4.1	4.5	7.5
LIN-02RTL-16	16	26	46	36	35	70	9	4.1	4.5	7.5
LIN-02RTL-20	20	32	54	43	42	80	11	5.1	5.5	9.0
LIN-02RTL-25	25	40	62	51	50	112	11	5.1	5.5	9.0
LIN-02RTL-30	30	47	76	62	60	123	14	6.1	6.6	11.0
LIN-02RTL-40	40	62	98	80	75	151	18	8.1	9.0	14.0
LIN-02RTL-50	50	75	112	94	88	192	18	8.1	9.0	14.0

订购编码 Order P/N	轴径 Shaft mm ²	公差 Tolerance mm ²	极限动载荷 Dynamic Load P=5MPa	极限静载荷 Static Load P=35MPa	重量 (g) Weight
LIN-02RTL-10	10	+0.030/+0.080	1300	9100	44
LIN-02RTL-12	12	+0.030/+0.080	1680	11760	57
LIN-02RTL-16	16	+0.030/+0.080	2400	16800	79
LIN-02RTL-20	20	+0.030/+0.091	3000	21000	126
LIN-02RTL-25	25	+0.030/+0.091	5000	35000	249
LIN-02RTL-30	30	+0.030/+0.110	7500	52500	388
LIN-02RTL-40	40	+0.030/+0.115	12000	84000	835
LIN-02RTL-50	50	+0.030/+0.130	17500	122500	1352

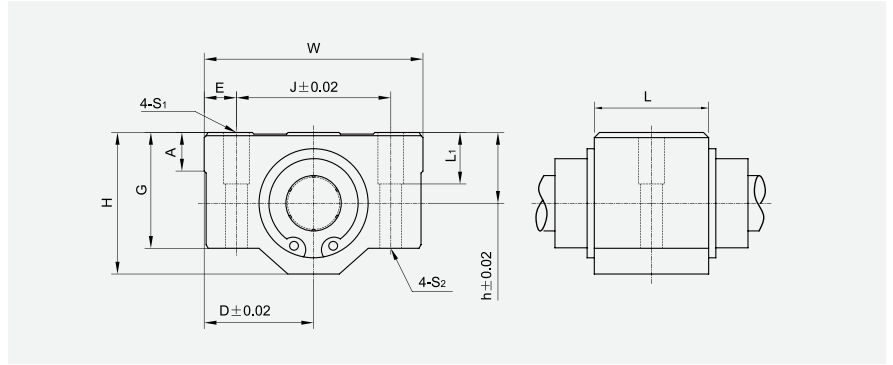
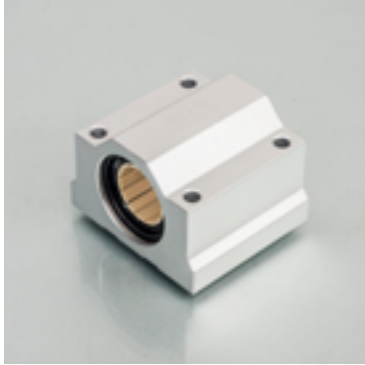
订购编码 Order P/N: LIN-02 RTL-10

- └─ 内径 Inner diameter
- └─ 方法兰加长型保持器
Angular Flange Aluminum housing(Long Design)
- └─ LIN-02 系列标准滑动膜 LIN-02 Standard membraness

LIN 系列直线轴承

LIN Series Linear Bearings

LIN-01G 系列窄设计直线轴承座 LIN-01G Pillow Block, Short Design

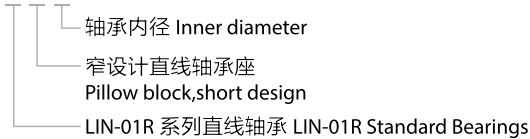


轴 Shaft: h6-h9

订购编码 Order P/N	安装轴承 Bearing mm ²	轴径 Shaft mm ²	尺寸 Size(mm ³)										
			h	D	W	H	G	A	J	E	S ₁ × L ₁	S ₂	L
LIN-01G-16	LIN-01R-16	φ 16	19	25	50	38.5	32.5	9	36	7	M5 × 12	φ4.3	22.3
LIN-01G-20	LIN-01R-20	φ 20	21	27	54	41	35	11	40	7	M6 × 12	φ5.2	28.3
LIN-01G-25	LIN-01R-25	φ 25	26	38	76	51.5	41	12	54	11	M8 × 18	φ7	40.4
LIN-01G-30	LIN-01R-30	φ 30	30	39	78	59.5	49	15	58	10	M8 × 18	φ7	48.4
LIN-01G-40	LIN-01R-40	φ 40	40	51	102	78	62	20	80	11	M10 × 25	φ8.7	56.4

订购编码 Order P/N	内径 I.D mm ²	I.D 公差 Tolerance mm ²	极限动载荷 Dynamic Load P=5MPa	极限静载荷 Static Load P=35Mpa	重量 (g) Weight
LIN-01G-16	16	+0.030/-0.088	1728N	12096N	67
LIN-01G-20	20	+0.030/-0.091	2700N	18900N	90
LIN-01G-25	25	+0.030/-0.091	4350N	30650N	193
LIN-01G-30	30	+0.040/-0.110	6120N	42840N	260
LIN-01G-40	40	+0.040/-0.115	9600N	67200N	641

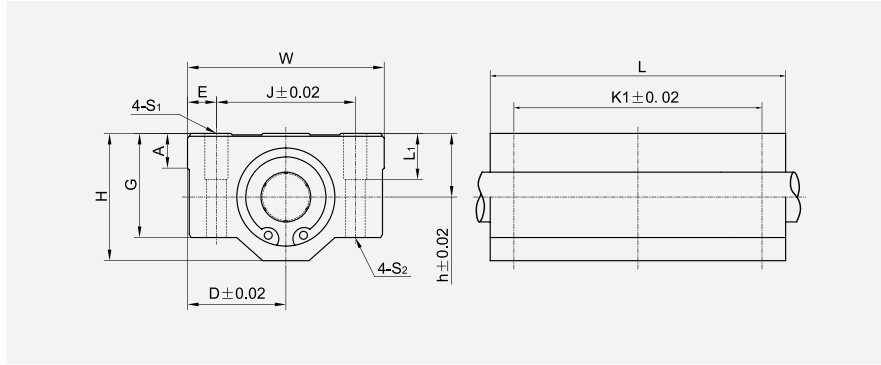
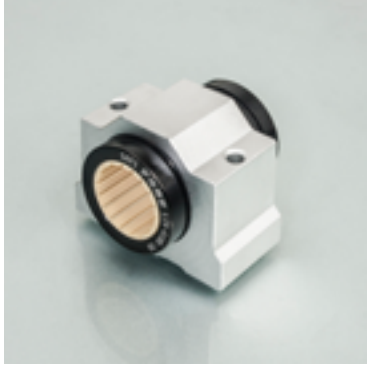
订购编码 Order P/N: LIN-01 G-16



LIN 系列直线轴承

LIN Series Linear Bearings

LIN-01GN 系列标准设计直线轴承座 LIN-01GN Pillow black, Standard design



轴 Shaft: h6-h9

订购编码 Order P/N	安装轴承 Bearing mm ²	轴径 Shaft mm ²	尺寸 Size(mm ²)										
			h	D	W	H	G	A	J	E	S ₁ ×L ₁	S ₂	L
LIN-01GN-16	2xLIN-01R-16	φ16	19	25	50	38.5	32.5	9	36	7	M5×12	φ4.3	89
LIN-01GN-20	2xLIN-01R-20	φ20	21	27	54	41	35	11	40	7	M6×12	φ5.2	106
LIN-01GN-25	2xLIN-01R-25	φ25	26	38	76	51.5	41	12	54	11	M8×18	φ7	136
LIN-01GN-30	2xLIN-01R-30	φ30	30	39	78	59.5	49	15	58	10	M8×18	φ7	154
LIN-01GN-40	2xLIN-01R-40	φ40	40	51	102	78	62	20	80	11	M10×25	φ8.7	180

订购编码 Order P/N	内径 I.D mm ²	I.D 公差 Tolerance mm ²	极限动载荷 Dynamic Load P=5MPa	极限静载荷 Static Load P=35Mpa	重量 (g) Weight
LIN-01GN-16	16	+0.030/-0.088	3456N	24192N	250
LIN-01GN-20	20	+0.030/-0.091	5400N	37800N	318
LIN-01GN-25	25	+0.030/-0.091	8400N	61300N	686
LIN-01GN-30	30	+0.040/-0.110	12240N	85680N	905
LIN-01GN-40	40	+0.040/-0.115	19200N	134400N	2041

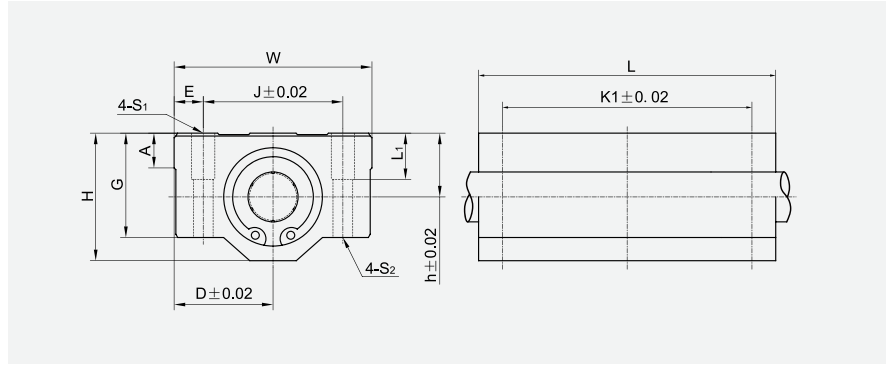
订购编码 Order P/N: LIN-01 GN-16

- 轴承内径 Inner diameter
- 标准设计直线轴承座
Pillow black, Standard design
- LIN-01R 系列直线轴承 LIN-01R Standard Bearings

LIN 系列直线轴承

LIN Series Linear Bearings

LIN-01GL 系列标准设计直线轴承座 LIN-01GL Pillow block, Standard design

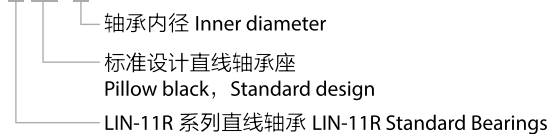


轴 Shaft: h6-h9

订购编码 Order P/N	安装轴承 Bearing mm ²	轴径 Shaft mm ²	尺寸 Size(mm ²)										
			h	D	W	H	G	A	J	E	S ₁ ×L ₁	S ₂	L
LIN-01GL-16	2xLIN-11R-16	φ16	19	25	50	38.5	32.5	9	36	7	M5×12	φ4.3	89
LIN-01GL-20	2xLIN-11R-20	φ20	21	27	54	41	35	11	40	7	M6×12	φ5.2	106
LIN-01GL-25	2xLIN-11R-25	φ25	26	38	76	51.5	41	12	54	11	M8×18	φ7	136
LIN-01GL-30	2xLIN-11R-30	φ30	30	39	78	59.5	49	15	58	10	M8×18	φ7	154
LIN-01GL-40	2xLIN-11R-40	φ40	40	51	102	78	62	20	80	11	M10×25	φ8.7	180

订购编码 Order P/N	内径 I.D mm ²	I.D 公差 Tolerance mm ²	极限动载荷 Dynamic Load P=5MPa	极限静载荷 Static Load P=35Mpa	重量 (g) Weight
LIN-01GL-16	16	+0.030/-0.088	3456N	24192N	250
LIN-01GL-20	20	+0.030/-0.091	5400N	37800N	318
LIN-01GL-25	25	+0.030/-0.091	8400N	61300N	686
LIN-01GL-30	30	+0.040/-0.110	12240N	85680N	905
LIN-01GL-40	40	+0.040/-0.115	19200N	134400N	2041

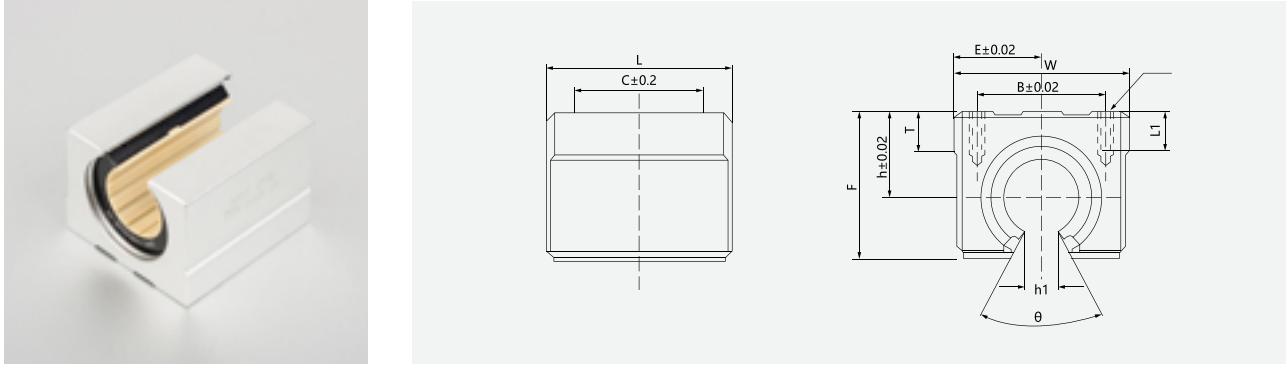
订购编码 Order P/N: LIN-01 GL-16



LIN 系列直线轴承

LIN Series Linear Bearings

LIN-01GK 系列窄设计直线轴承座 LIN-01GK Pillow Block, Short Design



轴 Shaft: h6-h9

订购编码 Order P/N	安装轴承 Bearing mm ²	轴径 Shaft mm ²	尺寸 Size(mm ²)											
			h	E	W	L	F	h1	θ	B	C	S	L1	T
LIN-01GK-10	LIN-01RK-10	10	15	18	36	32	24	6	80°	25	20	M5	10	7
LIN-01GK-12	LIN-01RK-12	12	17	20	40	39	27.6	8.5	80°	28	28	M5	10	8
LIN-01GK-16	LIN-01RK-16	16	20	22.5	45	45	33	10	80°	32	30	M5	12	9
LIN-01GK-20	LIN-01RK-20	20	23	24	48	50	39	10	60°	35	35	M6	12	11
LIN-01GK-25	LIN-01RK-25	25	27	30	60	65	47	11.5	50°	40	40	M6	12	14
LIN-01GK-30	LIN-01RK-30	30	33	35	70	70	56	14	50°	50	50	M8	18	15
LIN-01GK-40	LIN-01RK-40	40	42	45	90	90	72	19	50°	65	65	M10	20	20
LIN-01GK-50	LIN-01RK-50	50	53	60	120	110	92	23	50°	94	94	M10	20	25

订购编码 Order P/N	轴径 Shaft mm ²	座孔 Housing mm ² H7	公差 Tolerance mm ²	极限动载荷 Dynamic Load P=5MPa	极限静载荷 Static Load P=35Mpa	重量 (g) Weight
LIN-01GK-10	10	19	0/+0.021	870N	6090N	45
LIN-01GK-12	12	22	0/+0.021	1152N	8064N	82
LIN-01GK-16	16	26	0/+0.021	1728N	12096N	125
LIN-01GK-20	20	32	0/+0.025	2700N	18900N	159
LIN-01GK-25	25	40	0/+0.025	4350N	30650N	343
LIN-01GK-30	30	47	0/+0.025	6120N	42840N	450
LIN-01GK-40	40	62	0/+0.030	9600N	67200N	790
LIN-01GK-50	50	75	0/+0.030	15000N	105000N	1500

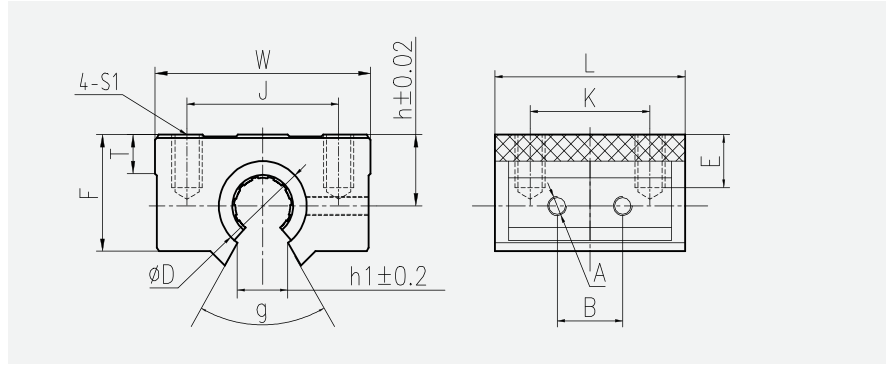
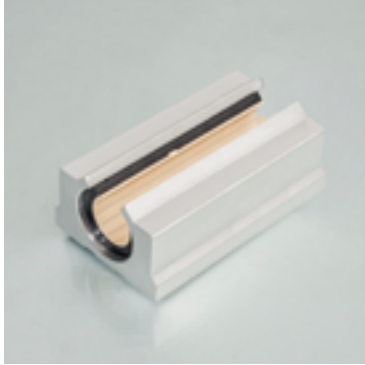
订购编码 Order P/N: LIN-01 GK-16

- 轴承内径 Inner diameter
- 窄设计直线轴承座
Pillow block, short design
- LIN-11RK 系列直线轴承 LIN-11RK Standard Bearings

LIN 系列直线轴承

LIN Series Linear Bearings

LIN-01GKL 系列标准设计直线轴承座 LIN-01GKL Pillow block, Standard design

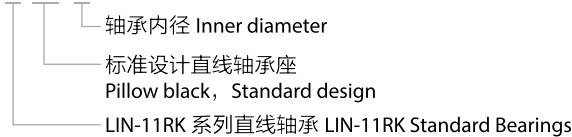


轴 Shaft: h6-h9

订购编码 Order P/N	安装轴承 Bearing mm ²	轴径 Shart mm ²	尺寸 Size(mm ²)													
			D(H7)	h	W	L	F	h1	T	A	B	g	J	K	E	S1
LIN-01GKL-16	LIN-11RK-16 × 2	φ16	28	19	49.7	46.4	32.3	17	11	M5	41	60°	37	70	15	M5
LIN-01GKL-20	LIN-11RK-20 × 2	φ20	32	21	54.1	51.3	35.2	17	11.8	M5	47	60°	41	80	17	M5
LIN-01GKL-25	LIN-11RK-25 × 2	φ25	40	26	76	66.4	42.2	21	12.5	M6	63	60°	54	110	20	M6
LIN-01GKL-30	LIN-11RK-30 × 2	φ30	45	30	78	71.5	49.1	21	15.5	M6	70	60°	58	115	25	M8

订购编码 Order P/N	内径 I.D mm ²	I.D 公差 Tolerance mm ²	极限动载荷 Dynamic Load P=5MPa	极限静载荷 Static Load P=35Mpa	重量 (g) Weight
LIN-01GKL-16	16	+0.030/-0.088	3456N	24192N	250
LIN-01GKL-20	20	+0.030/-0.091	5400N	37800N	318
LIN-01GKL-25	25	+0.030/-0.091	8400N	61300N	686
LIN-01GKL-30	30	+0.040/-0.110	12240N	85680N	905

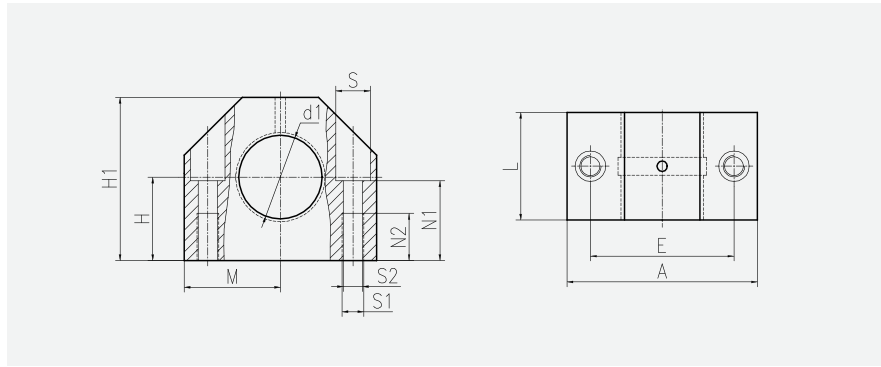
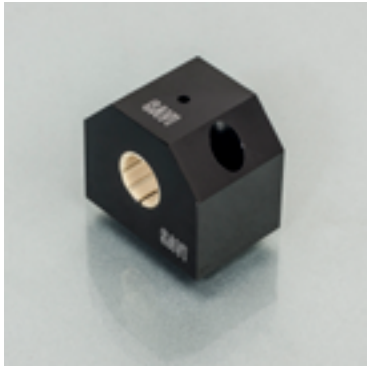
订购编码 Order P/N: LIN-01 GKL-16



LIN 系列直线轴承

LIN Series Linear Bearings

LIN-05 高精度直线轴承座 LIN-05 Precision linear bearing



订购编码 Order P/N	轴 Axis mm ²	公差 Tolerance mm ²	F max. 动态 P=5 MPa	F max. 静态 P=35 MPa	重量 Weight g
LIN-05-10	10	+0.030 +0.088	650	4,550	71
LIN-05-12	12	+0.030 +0.088	840	5,880	78
LIN-05-16	16	+0.030 +0.088	1,200	8,400	106
LIN-05-20	20	+0.030 +0.091	1,500	10,500	132
LIN-05-25	25	+0.030 +0.091	2,500	17,500	253
LIN-05-30	30	+0.040 +0.110	3,750	26,250	374
LIN-05-40	40	+0.040 +0.115	6,000	42,000	713
LIN-05-50	50	+0.050 +0.130	8,750	61,250	1,168

装配尺寸 Installation size

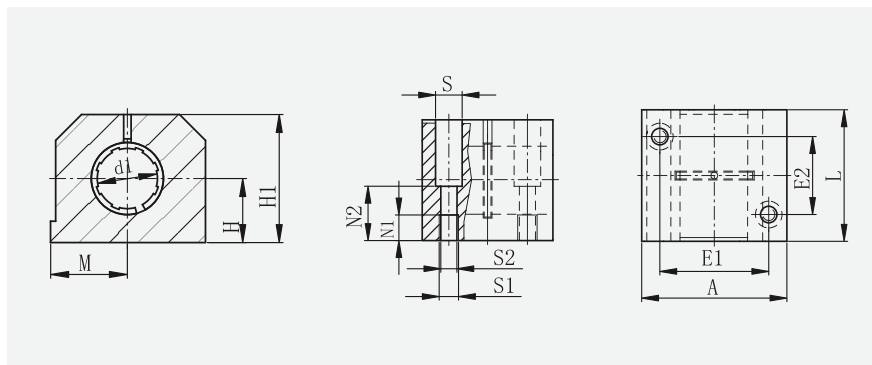
订购编码 Order P/N	d1	H +0.01 -0.014	H1	A	M	E ± 0.15	S	S1	S2	N1	N2	L
LIN-05-10	12	16	33	40	20.0	29	8.0	4.3	M5	16	11	26
LIN-05-12	12	17	33	40	20.0	29	8.0	4.3	M5	16	11	28
LIN-05-16	14	19	38	45	22.5	34	8.0	4.3	M5	18	11	30
LIN-05-20	23	23	45	53	26.5	40	9.5	5.3	M6	22	13	30
LIN-05-25	28	27	54	62	31.0	48	11.0	6.6	M8	26	18	40
LIN-05-30	34	30	60	67	33.5	53	11.0	6.6	M8	29	18	50
LIN-05-40	44	39	76	87	43.5	69	15.0	8.4	M10	38	22	60
LIN-05-50	55	47	92	103	51.5	82	18.0	10.5	M12	46	26	70

订购编码 Order P/N: LIN-05-12

└─ 内径 Inner diameter
└─ 标准开口系列 05
Standard series05

LIN 系列直线轴承 LIN Series Linear Bearings

LIN-06 加长型高精度直线轴承座 LIN-06 Long precision linear bearing



订购编码 Order P/N	轴 Axis mm ²	公差 Tolerance mm ²	F max. 动态 P=5 MPa	F max. 静态 P=35 MPa	重量 Weight g
LIN-06-12	12	+0.030 +0.088	960	6,720	121
LIN-06-16	16	+0.030 +0.088	1,440	10,080	211
LIN-06-20	20	+0.030 +0.091	2,250	15,750	323
LIN-06-25	25	+0.030 +0.091	3,625	25,375	651
LIN-06-30	30	+0.040 +0.110	5,100	35,700	1,050
LIN-06-40	40	+0.040 +0.115	8,000	56,000	1,820
LIN-06-50	50	+0.050 +0.130	12,500	87,500	3,250

装配尺寸 Installation size

订购编码 Order P/N	d1	H +0.01 -0.014	H1	A	M	E ± 0.15	E1 ± 0.15	S	S1	S2	N1	N2	L
LIN-06-12	12	18	35	43	25.1	32	23	8.0	M5	4.3	16.5	11	39
LIN-06-16	16	22	42	53	26.5	40	26	10.0	M6	5.3	21.0	13	43
LIN-06-20	20	25	50	60	30.0	45	32	11.0	M8	6.6	24.0	18	54
LIN-06-25	25	30	60	78	39.0	60	40	15.0	M10	8.4	29.0	22	67
LIN-06-30	30	35	70	87	43.5	68	45	15.0	M10	8.4	34.0	22	79
LIN-06-40	40	45	90	108	54.0	86	58	18.0	M12	10.5	44.0	26	91
LIN-06-50	50	50	105	132	66.0	108	50	20.0	M16	13.5	49.0	34	113

订购编码 Order P/N: LIN-06-12

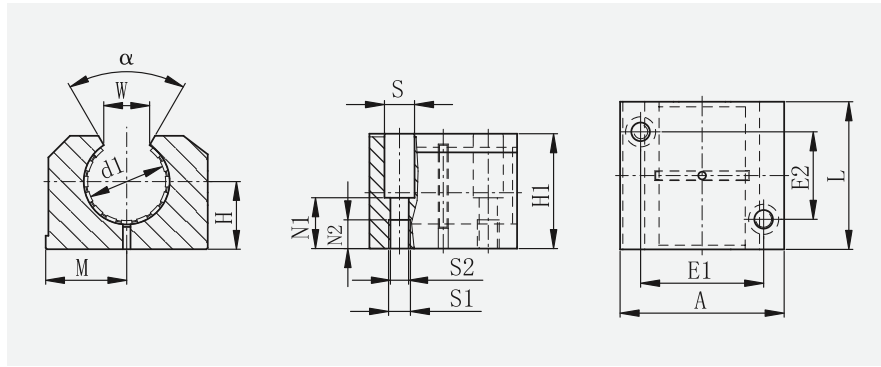
内径 Inner diameter

标准开口系列 06
Standard series06

LIN 系列直线轴承

LIN Series Linear Bearings

LIN-06K 加长型高精度直线轴承座 LIN-06K Long precision linear bearing



订购编码 Order P/N	轴 Axis mm ²	公差 Tolerance mm ²	F max. 动态 P=5 MPa			F max. 静态 P=35 MPa			重量 Weight g
			0°	90°	180°	0°	90°	180°	
LIN-06K-12	12	+0.030 +0.088	960	635	240	6,720	4,445	1,680	95
LIN-06K-16	16	+0.030 +0.088	1,440	990	396	10,080	6,943	2,772	158
LIN-06K-20	20	+0.030 +0.091	2,250	1,800	900	15,750	12,600	6,300	266
LIN-06K-25	25	+0.030 +0.091	3,625	2,953	1,523	25,375	20,670	10,658	530
LIN-06K-30	30	+0.040 +0.110	5,100	4,250	2,278	35,700	29,735	15,946	818
LIN-06K-40	40	+0.040 +0.115	8,000	6,810	3,800	56,000	47,660	26,600	1,485
LIN-06K-50	50	+0.050 +0.130	12,500	10,750	6,125	87,500	75,265	42,875	2,750

装配尺寸 Installation size

订购编码 Order P/N	d1	H	H1	A	M	E ± 0.15	E1 ± 0.15	S	S1	S2	N1	N2	w -1	α °	L
LIN-06K-12	12	18	28	43	21.5	32	23	8.0	M5	4.3	16.5	11	10.2	78	39
LIN-06K-16	16	19	35	53	26.5	40	26	10.0	M6	5.3	21.0	13	11.6	78	43
LIN-06K-20	20	22	42	60	30.0	45	32	11.0	M8	6.6	24.0	18	12.0	60	54
LIN-06K-25	25	30	51	78	39.0	60	40	15.0	M10	8.4	29.0	22	14.5	60	67
LIN-06K-30	30	35	60	87	43.5	68	45	15.0	M10	8.4	34.0	22	16.6	57	79
LIN-06K-40	40	45	77	108	45.0	86	58	18.0	M12	10.5	44.0	26	21.0	56	91
LIN-06K-50	50	50	88	132	66.0	108	50	20.0	M16	13.5	49.0	34	25.5	54	113

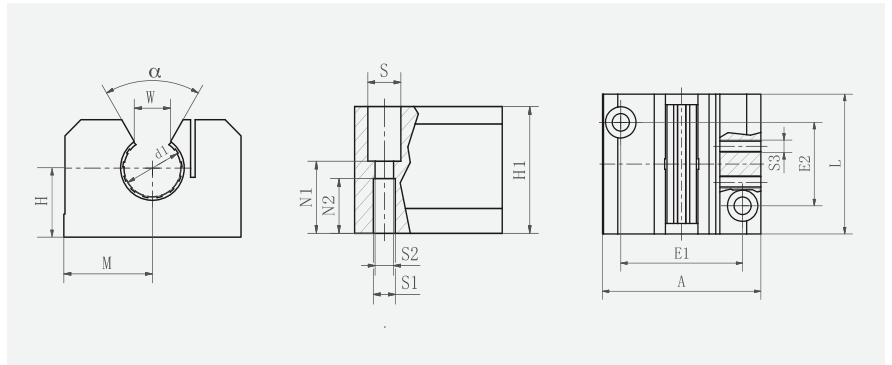
订购编码 Order P/N: LIN-06K-12

内径 Inner diameter

标准开口系列 06
Standard series 05

LIN 系列直线轴承 LIN Series Linear Bearings

LIN-06E 加长型高精度直线轴承座 LIN-06E Long precision linear bearing



订购编码 Order P/N	轴 Axis mm ²	公差 Tolerance mm ²	F max. 动态 P=5 MPa			F max. 静态 P=35 MPa			重量 Weight g
			0°	90°	180°	0°	90°	180°	
LIN-06E-12	12	可调	960	635	240	6,720	4,445	1,680	100
LIN-06E-16	16	可调	1,440	990	396	10,080	6,943	2,772	160
LIN-06E-20	20	可调	2,250	1,800	900	15,750	12,600	6,300	270
LIN-06E-25	25	可调	3,625	2,953	1,523	25,375	20,670	10,658	530
LIN-06E-30	30	可调	5,100	4,250	2,278	35,700	29,735	15,946	820
LIN-06E-40	40	可调	8,000	6,810	3,800	56,000	47,660	26,600	1,490
LIN-06E-50	50	可调	12,500	10,750	6,125	87,500	75,265	42,875	2,750

装配尺寸 Installation size

订购编码 Order P/N	d1	H	H1	A	M	E ± 0.15	E1 ± 0.15	S	S1	S2	N1	N2	w -1	α °	L
LIN-06E-12	12	18	28	43	21.5	32	23	8.0	M5	4.3	16.5	11	10.2	78	39
LIN-06E-16	16	19	35	53	26.5	40	26	10.0	M6	5.3	21.0	13	11.6	78	43
LIN-06E-20	20	22	42	60	30.0	45	32	11.0	M8	6.6	24.0	18	12.0	60	54
LIN-06E-25	25	30	51	78	39.0	60	40	15.0	M10	8.4	29.0	22	14.5	60	67
LIN-06E-30	30	35	60	87	43.5	68	45	15.0	M10	8.4	34.0	22	16.6	57	79
LIN-06E-40	40	45	77	108	45.0	86	58	18.0	M12	10.5	44.0	26	21.0	56	91
LIN-06E-50	50	50	88	132	66.0	108	50	20.0	M16	13.5	49.0	34	25.5	54	113

订购编码 Order P/N: LIN-06E--12

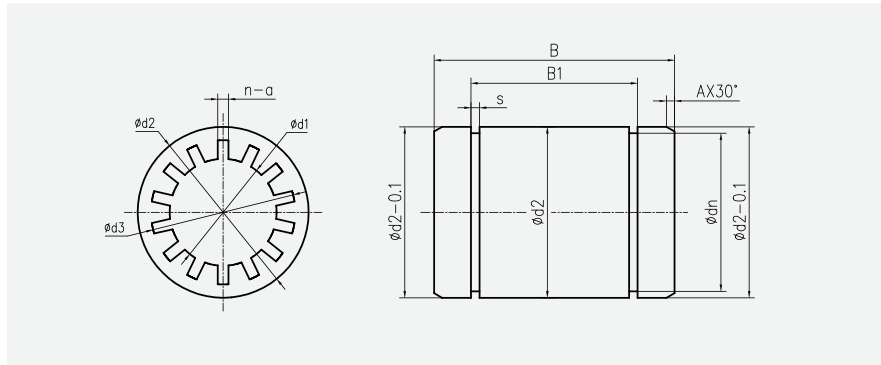
内径 Inner diameter

标准开口系列 06
Standard series 05

LIN 系列直线轴承

LIN Series Linear Bearings

LIN-00 系列滑动膜 LIN-00 Series of Sliding Membranes



座孔 Housing:H7 轴 Shaft:h6-h9

订购编码 Order P/N	d1 mm ²	公差 Tolerance mm ²	d2 mm ²	B mm ²	B1 mm ²	s mm ²	dn mm ²
LIN-00-06	10	+0.030/-0.070	12	29	3.0	1.3	11.5
LIN-00-12	12	+0.030/-0.070	14	31	3.0	1.6	15.2
LIN-00-16	16	+0.030/-0.070	18	35	3.5	2.2	17.5
LIN-00-20	20	+0.030/-0.070	23	44	5.0	5.0	20.5
LIN-00-25	25	+0.030/-0.070	28	57	5.0	8.0	24.2
LIN-00-30	30	+0.040/-0.085	34	67	5.0	15.1	29.6
LIN-00-40	40	+0.040/-0.085	44	79	6.0	25.6	36.5
LIN-00-50	50	+0.040/-0.085	55	99	7.0	50.6	43.5

装配尺寸 Installation size

订购编码 Order P/N	轴径 Shaft mm ²	座孔 Housing mm ²	公差 Tolerance mm ²	极限动载荷 Dynamic Load mm ²	t mm ²	重量 Weight g
LIN-00-10	6	12	0/+0.018	200	1400	2
LIN-00-12	8	16	0/+0.018	250	1750	4
LIN-00-16	10	19	0/+0.018	363	2538	7
LIN-00-20	12	22	0/+0.018	480	3360	9
LIN-00-25	16	26	0/+0.018	720	5040	13
LIN-00-30	20	32	0/+0.018	1125	7875	24
LIN-00-40	25	40	0/+0.018	1813	12688	47
LIN-00-50	30	47	0/+0.018	2550	17850	72

订购编码 Order P/N: LIN-00 - 10

内径 Inner diameter

 标准开口系列 01K
Standard split type 01K