

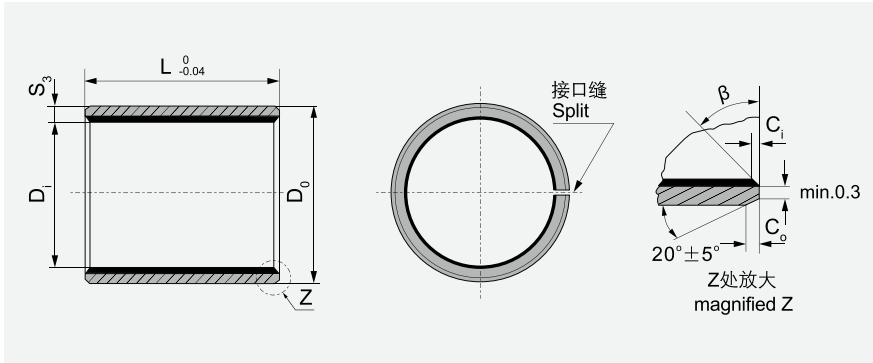
**SF-10 自润滑轴套**  
**SF-10 Self-lubricating Bushes**



**SF-10 自润滑轴承**  
**SF-10 Self-lubricating Bearings**

# SF-10 轴套规格及公差

## SF-10 Sleeve Bushing Specification & Tolerance



内外倒角 ID and OD chamfers

S <sub>3</sub>	C <sub>o</sub>	C <sub>i</sub>	β
0.75	0.5 ± 0.3	0.25 ± 0.2	30° ± 5°
1.00	0.6 ± 0.3	0.30 ± 0.2	30° ± 5°
1.50	0.7 ± 0.3	0.50 ± 0.3	30° ± 5°

S <sub>3</sub>	C <sub>o</sub>	C <sub>i</sub>	β
2.00	1.2 ± 0.4	0.50 ± 0.3	30° ± 5°
2.50	1.8 ± 0.6	0.60 ± 0.3	45° ± 5°

单位Unit: mm<sup>2</sup>

轴径(f7) Shaft D <sub>s</sub>	座孔(H7) Housing D <sub>H</sub>	(OD) 外径公差 Tolerance D <sub>o</sub>	(ID)压装后 内孔公差 After fixed D <sub>ia</sub>	配合间隙 Clearance D <sub>o</sub>	壁厚 Wall thick- ness S <sub>3</sub>	长度 L <sup>0</sup> <sub>-0.40</sub>														
						6	8	10	12	15	20	25	30	40	50					
6	-0.010 -0.022	8	+0.015	8	+0.055 +0.025	6.055 5.990	0.077 0.000	1.005 0.980	0606	0608	0610									
8	-0.013 -0.028	10	+0.015	10	+0.055 +0.025	8.055 7.990	0.083 0.003		0806	0808	0810	0812	0815							
10	-0.013 -0.028	12	+0.018	12	+0.065 +0.030	10.058 9.990	0.086 0.003		1006	1008	1010	1012	1015	1020						
12	-0.016 -0.034	14	+0.018	14	+0.065 +0.030	12.058 11.990	0.092 0.006		1206	1208	1210	1212	1215	1220	1225					
13	-0.016 -0.034	15	+0.018	15	+0.065 +0.030	13.058 12.990						1310	1312	1315	1320	1325				
14	-0.016 -0.034	16	+0.018	16	+0.065 +0.030	14.058 13.990						1410	1412	1415	1420	1425				
15	-0.016 -0.034	17	+0.018	17	+0.065 +0.030	15.058 14.990						1510	1512	1515	1520	1525				
16	-0.016 -0.034	18	+0.018	18	+0.065 +0.030	16.058 15.990						1610	1612	1615	1620	1625				
17	-0.016 -0.034	19	+0.021	19	+0.075 +0.035	17.061 16.990			0.095 0.006			1710	1712	1715	1720	1725				
18	-0.016 -0.034	20	+0.021	20	+0.075 +0.035	18.061 17.990					1810	1812	1815	1820	1825					
20	-0.020 -0.041	23	+0.021	23	+0.075 +0.035	20.071 19.990	0.112 0.010	1.505 1.475			2010	2012	2015	2020	2025	2030				
22	-0.020 -0.041	25	+0.021	25	+0.075 +0.035	22.071 21.990						2210	2212	2215	2220	2225	2230			
24	-0.020 -0.041	27	+0.021	27	+0.075 +0.035	24.071 23.990							2410	2412	2415	2420	2425	2430		
25	-0.020 -0.041	28	+0.021	28	+0.075 +0.035	25.071 24.990							2510	2512	2515	2520	2525	2530	2540	2550
28	-0.020 -0.041	32	+0.025	32	+0.085 +0.045	28.085 27.990	0.126 0.010	2.005 1.970				2812	2815	2820	2825	2830	2840	2850		
30	-0.020 -0.041	34	+0.025	34	+0.085 +0.045	30.085 29.990							3012	3015	3020	3025	3030	3040	3050	
32	-0.025 -0.050	36	+0.025	36	+0.085 +0.045	32.085 31.990	0.135 0.015					3212	3215	3220	3225	3230	3240	3250		
35	-0.025 -0.050	39	+0.025	39	+0.085 +0.045	35.085 34.990							3512	3515	3520	3525	3530	3540	3550	
38	-0.025 -0.050	42	+0.025	42	+0.085 +0.045	38.085 37.990								3812	3815	3820	3825	3830	3840	3850
40	-0.025 -0.050	44	+0.025	44	+0.085 +0.045	40.085 39.990									4012	4015	4020	4025	4030	4040

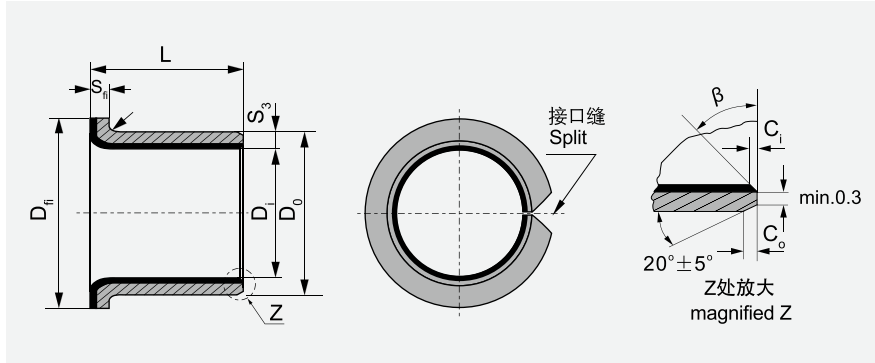
## SF-10 轴套规格及公差

### SF-10 Sleeve Bushing Specification & Tolerance

轴径(f7) Shaft D <sub>s</sub>	座孔(H7) Housing D <sub>H</sub>	(OD) 外径公差 Tolerance D <sub>O</sub>		(ID)压装后 内孔公差 After fixed D <sub>1a</sub>	配合间隙 Clearance D <sub>O</sub>	壁厚 Wall thick- ness S <sub>3</sub>	长度 L <sup>0</sup> -0.40											
							20	25	30	40	50	60	70	80	100	115		
45 -0.050 -0.025	50 +0.025	50 +0.085 +0.045	45.105 44.990	0.155 0.015	2.505 2.460	4520	4525	4530	4540	4550								
50 -0.050 -0.025	55 +0.030	55 +0.100 +0.055	50.110 49.990	0.160 0.015		5020	5025	5030	5040	5050	5060							
55 -0.060 -0.030	60 +0.030	60 +0.100 +0.055	55.110 54.990	0.170 0.020				5530	5540	5550	5560							
60 -0.060 -0.030	65 +0.030	65 +0.100 +0.055	60.110 59.990						6030	6040	6050	6060	6070					
65 -0.060 -0.030	70 +0.030	70 +0.100 +0.055	65.110 64.990							6530	6540	6550	6560	6570				
70 -0.060 -0.030	75 +0.030	75 +0.100 +0.055	70.110 69.990								7030	7040	7050	7060	7070	7080		
75 -0.060 -0.030	80 +0.030	80 +0.100 +0.055	75.110 74.990								7530	7540	7550	7560	7570	7580		
80 -0.045	85 +0.035	85 +0.120 +0.070	80.155 80.020	0.201 0.020	2.490 2.440				8040	8050	8060	8070	8080	80100				
85 -0.054	90 +0.035	90 +0.120 +0.070	85.155 85.020	0.209 0.020						8540	8550	8560	8570	8580	85100			
90 -0.054	95 +0.035	95 +0.120 +0.070	90.155 90.020								9040	9050	9060	9070	9080	90100		
95 -0.054	100 +0.035	100 +0.120 +0.070	95.155 95.020									9550	9560	9570	9580	95100		
100 -0.054	105 +0.035	105 +0.120 +0.070	100.155 100.020									10050	10060	10070	10080	100100	100115	
105 -0.054	110 +0.035	110 +0.120 +0.070	105.155 105.020										10560	10570	10580	105100	105115	
110 -0.054	115 +0.035	115 +0.120 +0.070	110.115 110.020											11060	11070	11080	110100	110115
120 -0.054	125 +0.040	125 +0.170 +0.100	120.210 120.070		0.264 0.070	2.465 2.415						12060	12070	12080	120100	120115		
125 -0.063	130 +0.040	130 +0.170 +0.100	125.210 125.070	0.273 0.070								12560	12570	12580	125100	125115		
130 -0.063	135 +0.040	135 +0.170 +0.100	130.210 130.070										13060	13070	13080	130100	130115	
140 -0.063	145 +0.040	145 +0.170 +0.100	140.210 140.070											14060	14070	14080	140100	140115
150 -0.063	155 +0.040	155 +0.170 +0.100	150.210 150.070											15060	15070	15080	150100	150115
160 -0.063	165 +0.040	165 +0.170 +0.100	160.210 160.070											16060	16070	16080	160100	160115
180 -0.063	185 +0.046	185 +0.210 +0.130	180.216 180.070		0.279 0.070									18060	18070	18080	180100	
190 -0.072	195 +0.046	195 +0.210 +0.130	190.216 190.070		0.288 0.070	2.465 2.415							19060	19070	19080	190100		
200 -0.072	205 +0.046	205 +0.210 +0.130	200.016 200.070											20060	20070	20080	200100	
220 -0.072	225 +0.046	225 +0.210 +0.130	220.216 220.070											22060	22070	22080	220100	
250 -0.072	255 +0.052	255 +0.260 +0.170	250.222 250.070	0.294 0.070	2.465 2.415									25080	250100			
260 -0.081	265 +0.052	265 +0.260 +0.170	260.222 260.070	0.303 0.070											26080	260100		
280 -0.081	285 +0.052	285 +0.260 +0.170	280.222 280.070													28080	280100	
300 -0.081	305 +0.052	305 +0.260 +0.170	300.222 300.070													30080	300100	

### SF-10F 翻边轴套规格及公差

### SF-10F Flange Bushing Specification & Tolerance



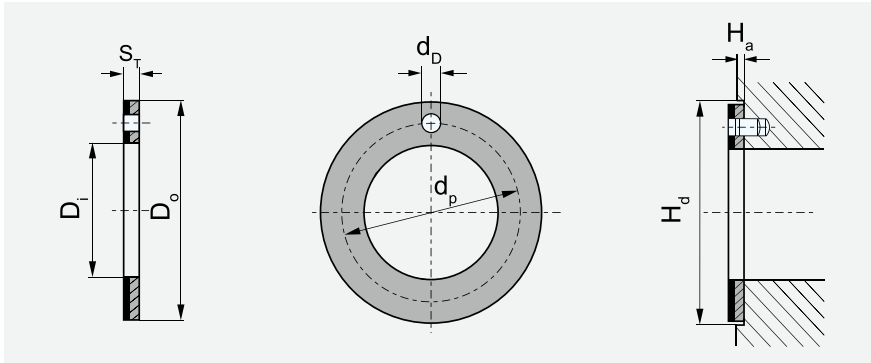
S <sub>3</sub>	1.0	1.5	2.0	2.5
r	1 <sup>-0.5</sup>	1 ± 0.5	1.5 ± 0.5	2 ± 0.5

单位Unit: mm<sup>2</sup>

轴径(f7) Shaft D <sub>s</sub>	座孔(H7) Housing D <sub>H</sub>	(OD) 外径公差 Tolerance D <sub>O</sub>	(ID)压装后 内孔公差 After fixed D <sub>fa</sub>	配合间隙 Clearance C <sub>O</sub>	Designation 型号规格	Wall thickness 壁厚 S <sub>3</sub>	尺寸 Dimension						
							D <sub>i</sub>	D <sub>o</sub>	D <sub>fi</sub> ± 0.5	L ± 0.25	S <sub>fi</sub> -0.2		
6	-0.013 -0.028	8	+0.015	8	+0.055 +0.025	6.055 5.990	0.077 0.000	JLB-1F06040	6	8	12	4	1
												7	
8	-0.013 -0.028	10	+0.015	10	+0.055 +0.025	8.055 7.990	0.083 0.003	JLB-1F08055 JLB-1F08075	8	10	15	5.5	1
												7.5	
10	-0.016 -0.034	12	+0.018	12	+0.055 +0.025	10.058 9.990	0.086 0.003	JLB-1F10070 JLB-1F10090 JLB-1F10120	10	12	18	7	1
												9	
												12	
12	-0.016 -0.034	14	+0.018	14	+0.065 +0.030	12.058 11.990	0.092 0.006	JLB-1F12070 JLB-1F12090 JLB-1F12120 JLB-1F14120 JLB-1F14170	12	14	20	7	1
												9	
												12	
												17	
14	-0.016 -0.034	16	+0.018	16	+0.065 +0.030	14.058 13.990	0.092 0.006	JLB-1F15090 JLB-1F15120 JLB-1F15170	14	16	22	9	1
												12	
												17	
15	-0.016 -0.034	17	+0.018	17	+0.065 +0.030	15.058 14.990	0.092 0.006	JLB-1F16120 JLB-1F16170	15	17	23	12	1
												17	
												17	
16	-0.016 -0.034	18	+0.018	18	+0.065 +0.030	16.058 15.990	0.092 0.006	JLB-1F18120 JLB-1F18170 JLB-1F18200	16	18	24	12	1
												17	
												20	
18	-0.016 -0.034	20	+0.021	20	+0.075 +0.035	18.061 17.990	0.095 0.006	JLB-1F20115 JLB-1F20165 JLB-1F20215	18	20	26	12	1
												17	
												20	
20	-0.020 -0.041	23	+0.021	23	+0.075 +0.035	20.071 19.990	0.112 0.010	JLB-1F22150 JLB-1F22200 JLB-1F25115 JLB-1F25165 JLB-1F25215	20	23	30	11.5	1.5
												16.5	
												21.5	
												15	
22	-0.020 -0.041	25	+0.021	25	+0.075 +0.035	22.071 21.990	0.112 0.010	JLB-1F30160 JLB-1F30260	22	25	32	20	1.5
												15	
												20	
25	-0.020 -0.041	28	+0.021	28	+0.075 +0.035	25.071 24.990	0.112 0.010	JLB-1F35160 JLB-1F35260	25	28	35	11.5	1.5
												16.5	
												21.5	
30	-0.025 -0.050	34	+0.025	34	+0.075 +0.035	30.085 29.990	0.126 0.010	JLB-1F40260 JLB-1F40400	30	34	42	16	2
												26	
35	-0.025 -0.050	39	+0.025	39	+0.085 +0.045	35.085 34.990	0.135 0.015	JLB-1F40260 JLB-1F40400	35	39	47	16	2
												26	
												26	
40	-0.025 -0.050	44	+0.025	44	+0.085 +0.045	40.085 39.990	0.135 0.015	JLB-1F40260 JLB-1F40400	40	44	53	26	2
												40	

## SF-10W 垫片规格及公差

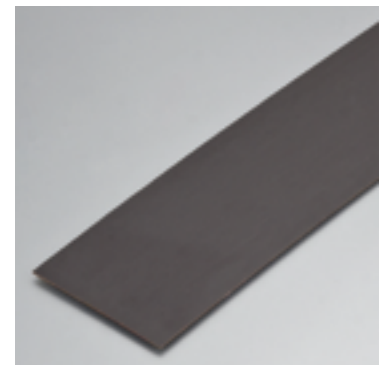
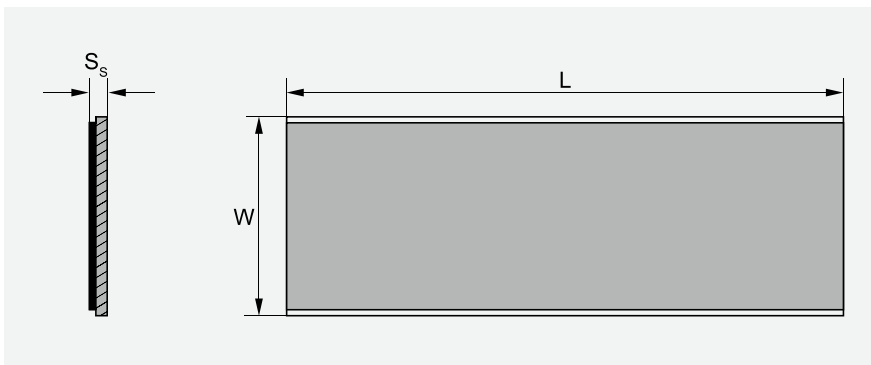
### SF-10W Thrust Washer Specification & Tolerance


 单位Unit: mm<sup>2</sup>

轴径 Shaft D <sub>s</sub>	型号规格 Standard No.	垫片尺寸 Washer size				安装尺寸 Assemble size		H <sub>o</sub> +0.12
		D <sub>i</sub> +0.25	D <sub>o</sub> -0.25	S <sub>T</sub> -0.05	d <sub>p</sub> ± 0.125	d <sub>D</sub> <sup>+0.4</sup> <sub>D+0.1</sub>	H <sub>a</sub> ± 0.2	
8	W10	10	20	1.5	15	1.5	1	20
10	W12	12	24		18			24
12	W14	14	26		20			26
14	W16	16	30		23	30		
16	W18	18	32		25	32		
18	W20	20	36		28	36		
20	W22	22	38		30	38		
22	W24	24	42		33	42		
24	W26	26	44		35	44		
26	W28	28	48		38	48		
30	W32	32	54		43	54		
36	W38	38	62		50	62		
40	W42	42	66		54	66		
46	W48	48	74		61	74		
50	W52	52	78	65	78			
60	W62	62	90	76	90			

## SF-10SP 板材规格及公差

### SF-10SP Strip Specification & Tolerance


 单位Unit: mm<sup>2</sup>

型号规格 Standard No.	长度 L ± 1	宽度 W ± 1	厚壁 Wall thickness S <sub>s</sub> -0.05
SP	500	150	1.0
SP	500	150	1.5
SP	500	150	2.0
SP	500	150	2.5