

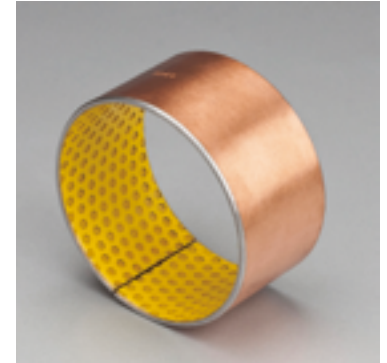
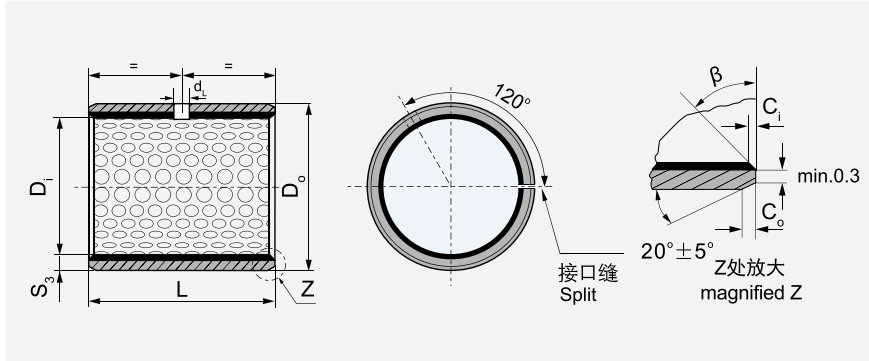
SF-20 边界自润滑轴套
SF-20 Marginal Self-lubricating Bushes



SF 边界自润滑轴承
SF Marginal Self-lubricating Bearings

SF-20 轴承规格及公差

SF-20 Sleeve Bushing Specification & Tolerance



内外倒角 ID and OD chamfers

S_3	C_o	C_i	β
1.0	0.6 ± 0.3	0.30 ± 0.2	$30^\circ \pm 5^\circ$
1.5	0.7 ± 0.3	0.50 ± 0.2	$30^\circ \pm 5^\circ$

S_3	C_o	C_i	β
2.00	1.2 ± 0.4	0.50 ± 0.3	$30^\circ \pm 5^\circ$
2.50	1.8 ± 0.6	0.80 ± 0.3	$45^\circ \pm 5^\circ$

 单位Unit: mm²

轴径 Shaft D_s h8	座孔 Housing H7 D_H	(OD) 外径公差 Tolerance D_o	(ID)压装后 内孔公差 After fixed D_{ia}	配合间隙 Clearance D_o	壁厚 Wall thickness S_3	油孔 Oil hole d_L	长度 L ⁰ _{-0.40}															
							10	15	20	25	30	35	40	45	50	60						
10	-0.022	12	+0.018	12	+0.065 +0.030	10.108 10.040	0.130 0.040	0.980 0.955	4	1010	1015	1020										
12	-0.027	14	+0.018	14	+0.065 +0.030	12.108 12.040				1210	1215	1220										
14	-0.027	16	+0.018	16	+0.065 +0.030	14.108 14.040					1415	1420										
15	-0.027	17	+0.018	17	+0.065 +0.030	15.108 15.040					1515	1520	1525									
16	-0.027	18	+0.018	18	+0.065 +0.030	16.108 16.040					1615	1620	1625									
18	-0.027	20	+0.021	20	+0.075 +0.035	18.111 18.040				0.138 0.040		1815	1820	1825								
20	-0.033	23	+0.021	23	+0.075 +0.035	20.131 20.050	0.164 0.050	1.475 1.445	6	2015	2020	2025	2030									
22	-0.033	25	+0.021	25	+0.075 +0.035	22.131 22.050					2215	2220	2225	2230								
25	-0.033	28	+0.021	28	+0.075 +0.035	25.131 25.050	0.188 0.060	1.970 1.935	6			2515	2520	2525	2530							
28	-0.033	32	+0.025	32	+0.085 +0.045	28.155 28.060							2820	2825	2830							
30	-0.033	34	+0.025	34	+0.085 +0.045	30.155 30.060							3020	3025	3030	3035	3040					
35	-0.039	39	+0.025	39	+0.085 +0.045	35.155 35.060	0.194 0.060	2.460 2.415	8			3520	3525	3530	3535	3540						
40	-0.039	44	+0.025	44	+0.085 +0.045	40.155 40.060							4020	4025	4030	4035	4040	4045	4050			
45	-0.039	50	+0.025	50	+0.085 +0.045	45.195 45.080	0.234 0.080	2.460 2.415	8			4520	4525	4530	4535	4540	4545	4550				
50	-0.039	55	+0.030	55	+0.100 +0.055	50.200 50.080				0.239 0.080				5030	5035	5040	5045	5050	5060			
55	-0.046	60	+0.030	60	+0.100 +0.055	55.200 55.080	0.246 0.080	2.460 2.415	8				5530	5535	5540	5545	5550	5560				
60	-0.046	65	+0.030	65	+0.100 +0.055	60.200 60.080								6030	6035	6040	6045	6050	6060			

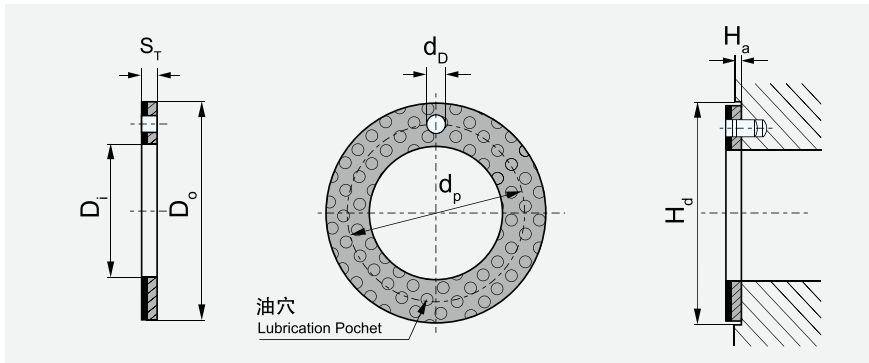
SF-20 轴承规格及公差

SF-20 Sleeve Bushing Specification & Tolerance

轴径 Shaft D _s h8	座孔 Housing H7 D _H	(OD) 外径公差 Tolerance D _O	(ID)压装后 内孔公差 After fixed D _{ia}	配合间隙 Clearance D _D	壁厚 Wall thick- ness S ₃	油孔 Oil hole d _L	长度 L ⁰ _{0.40}														
							40	50	60	80	90	95	100	110	120						
65 _{-0.046}	70 _{+0.030}	70 _{+0.100} _{+0.055}	65.200 65.080	0.246 0.080	2.460 2.415	8	6540	6550	6560												
70 _{-0.046}	75 _{+0.030}	75 _{+0.100} _{+0.055}	70.200 70.080				7040	7050	7060	7080											
75 _{-0.046}	80 _{+0.030}	80 _{+0.100} _{+0.055}	75.200 75.080				7540	7550	7560	7580											
80 _{-0.046}	85 _{+0.035}	85 _{+0.120} _{+0.070}	80.265 80.100	0.313 0.100	2.450 2.385	9.5	8040	8050	8060	8080											
85 _{-0.054}	90 _{+0.035}	90 _{+0.120} _{+0.070}	85.265 85.100				8540	8550	8560	8580											
90 _{-0.054}	95 _{+0.035}	95 _{+0.120} _{+0.070}	90.265 90.100				9040	9050	9060	9080	9090										
100 _{-0.054}	105 _{+0.035}	105 _{+0.120} _{+0.070}	100.265 100.100	0.321 0.100					10050	10060	10080	10090	10095								
105 _{-0.054}	110 _{+0.035}	110 _{+0.120} _{+0.070}	105.265 105.100							10550	10560	10580	10590	10595	105100	105110					
110 _{-0.054}	115 _{+0.035}	115 _{+0.120} _{+0.070}	110.265 110.110							11050	11060	11080	11090	11095	110100	110110					
120 _{-0.054}	125 _{+0.040}	125 _{+0.170} _{+0.100}	120.270 120.110	0.324 0.100							12050	12060	12080	12090	12095	120100	120110				
125 _{-0.063}	130 _{+0.040}	130 _{+0.170} _{+0.100}	125.270 125.110									12550	12560	12580	12590	12595	125100	125110			
130 _{-0.063}	135 _{+0.040}	135 _{+0.170} _{+0.100}	130.270 130.110									13050	13060	13080	13090	13095	130100	130110			
140 _{-0.063}	145 _{+0.040}	145 _{+0.170} _{+0.100}	140.270 140.110									14050	14060	14080	14090	14095	140100	140110			
150 _{-0.063}	155 _{+0.040}	155 _{+0.170} _{+0.100}	150.270 150.110									15050	15060	15080	15090	15095	150100	150110			
160 _{-0.063}	165 _{+0.040}	165 _{+0.170} _{+0.100}	160.270 160.110									16050	16060	16080	16090	16095	160100	160110			
170 _{-0.063}	175 _{+0.040}	175 _{+0.170} _{+0.100}	170.270 170.110									17050	17060	17080	17090	17095	170100	170110			
180 _{-0.063}	185 _{+0.046}	185 _{+0.210} _{+0.130}	180.276 180.110				0.339 0.110					18050	18060	18080	18090	18095	180100	180110			
190 _{-0.072}	195 _{+0.046}	195 _{+0.210} _{+0.130}	190.276 190.110										19050	19060	19080	19090	19095	190100	190110	190120	
200 _{-0.072}	205 _{+0.046}	205 _{+0.210} _{+0.130}	200.276 200.110										20050	20060	20080	20090	20095	200100	200110	200120	
220 _{-0.072}	225 _{+0.046}	225 _{+0.210} _{+0.130}	220.276 220.110									22050	22060	22080	22090	22095	220100	220110	220120		
240 _{-0.072}	245 _{+0.046}	245 _{+0.210} _{+0.130}	240.276 240.110									24050	24060	24080	24090	24095	240100	240110	240120		
250 _{-0.072}	255 _{+0.052}	255 _{+0.260} _{+0.170}	250.282 250.110	0.354 0.110								25050	25060	25080	25090	25095	250100	250110	250120		
260 _{-0.081}	265 _{+0.052}	265 _{+0.260} _{+0.170}	260.282 260.110									26050	26060	26080	26090	26095	260100	260110	260120		
280 _{-0.081}	285 _{+0.052}	285 _{+0.260} _{+0.170}	280.282 280.110									28050	28060	28080	28090	28095	280100	280110	280120		
300 _{-0.081}	305 _{+0.052}	305 _{+0.260} _{+0.170}	300.282 300.110									30050	30060	30080	30090	30095	300100	300110	300120		

SF-20W 垫片规格及公差

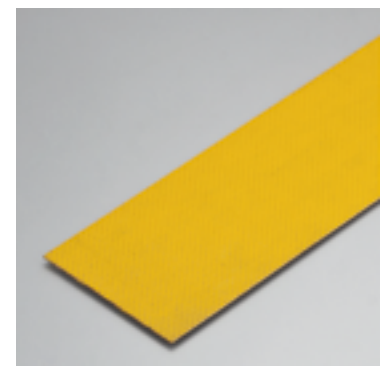
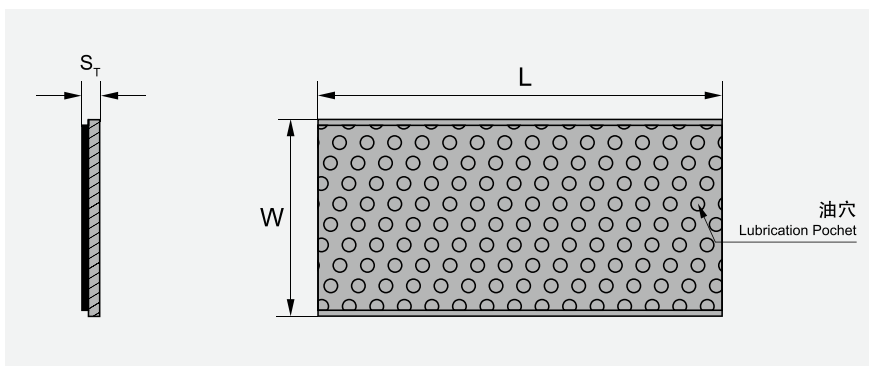
SF-20W Thrust Washer Specification & Tolerance


 单位Unit: mm²

轴径 Shaft D_s	型号规格 Standard No.	垫片尺寸 Washer size				安装尺寸 Assemble size		
		$D_i+0.25$	$D_o-0.25$	$S_T-0.05$	$d_p \pm 0.125$	$d_{D+0.1}^{+0.4}$	$H_a \pm 0.2$	$H_d+0.12$
8	W10	10	20	1.5	15	1.5	1	20
10	W12	12	24		18			24
12	W14	14	26		20			26
14	W16	16	30		23			30
16	W18	18	32		25	32		
18	W20	20	36		28	36		
20	W22	22	38		30	38		
22	W24	24	42		33	42		
24	W26	26	44		35	44		
26	W28	28	48		38	48		
30	W32	32	54		43	54		
36	W38	38	62		50	62		
40	W42	42	66		54	66		
46	W48	48	74		61	74		
50	W52	52	78	65	78			
60	W62	62	90	76	90			

SF-20SP 板材标准公制尺寸

SF-20SP Strip Standard Metric Size


 单位Unit: mm²

型号规格 Standard No.	长度 $L \pm 1$	宽度 $W \pm 1$	厚壁 Wall thickness $S_s -0.05$
P	500	150	1.0
P	500	150	1.5
P	500	150	2.0
P	500	150	2.5