

SRB 直线导向系统
SRB Linear Guide System



SRB 直线导向系统
SRB Linear Guide System

SBR-G 高精度直线钢轴 Precision Steel Shafts



产品特性 Product Features

- 轴材料 Shaft Material:GCr15
- 硬度 Hardness: $62 \pm 2\text{HRC}$
- 表面 Surface: 镀硬铬 Hard Chromed Plated
- 粗糙度 Surface Finish:Ra0.4
- 直线度 Straightness:0.01mm/1000mm
- 圆度 Roundness: $\leq 1/2 \Phi$ 公差 Tolerance
- 特殊轴可根据要求定制, 请联系我们

Special shafts can be manufactured according to your requirement.
Please contact with us.

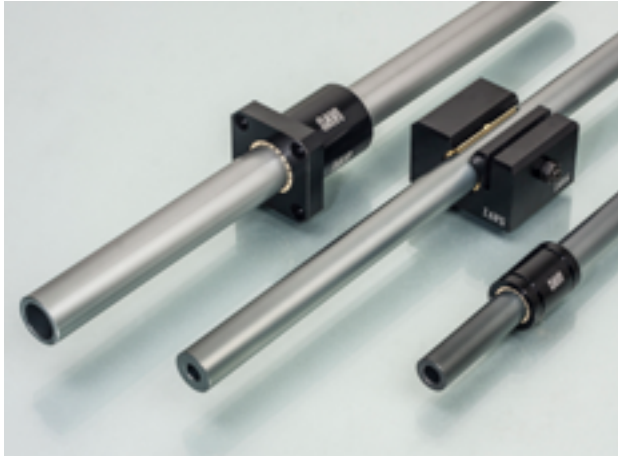
标准规格 Standard Size Sheet

订购编码 Order P/N	直径 mm ²	公差 Tolerance g6	标准长度 Standard Length (mm ²)													硬化厚度 Hardening Depth mm ²	重量 Weight kg/m			
			200	300	400	500	600	700	800	900	1000	1200	1500	1800	2000			2500	3000	
SBR-G-06	6	-0.004/-0.012	●	●	●	●	●	●	●	●	●	●	●						0.80	0.23
SBR-G-08	8	-0.005/-0.014		●	●	●	●	●	●	●	●	●	●	●					0.80	0.40
SBR-G-10	10	-0.005/-0.014		●	●	●	●	●	●	●	●	●	●	●	●				1.00	0.62
SBR-G-12	12	-0.006/-0.017		●	●	●	●	●	●	●	●	●	●	●	●	●			1.00	0.89
SBR-G-16	16	-0.006/-0.017			●	●	●	●	●	●	●	●	●	●	●	●			1.00	1.58
SBR-G-20	20	-0.007/-0.020			●	●	●	●	●	●	●	●	●	●	●	●			1.50	2.47
SBR-G-25	25	-0.007/-0.020			●	●	●	●	●	●	●	●	●	●	●	●			1.50	3.85
SBR-G-30	30	-0.007/-0.020			●	●	●	●	●	●	●	●	●	●	●	●			1.50	5.55
SBR-G-40	40	-0.009/-0.025				●	●	●	●	●	●	●	●	●	●	●			2.00	9.87
SBR-G-50	50	-0.009/-0.025				●	●	●	●	●	●	●	●	●	●	●			2.00	15.40

订购编码 Order P/N: SBR-G 06- 1000



SBR-A 高精度铝轴 Precision Steel Shafts



产品特性 Product Features

- 轴材料 EN AW 6061/6060
- 硬度 Hardness: 75 HB
- 表面 Surface: 硬质阳极氧化 Hard anodizing
- 表面硬度 Surface hardness: 450-550 HV
- 直线度 Straightness: EN 754-3
- 特殊轴可根据要求定制, 请联系我们

Special shafts can be manufactured according to your requirement.
Please contact with us.

标准规格 Standard Size Sheet

订购编码 Order P/N	直径 mm ²	公差 Tolerance g6	标准长度 Standard Length (mm ²)																绝缘厚度 Insulation thickness mm ²	重量 Weight kg/m				
			200	300	400	500	600	700	800	900	1000	1200	1500	1800	2000	2500	3000							
SBR-R-06	6	h8	●	●	●	●															-	0.08		
SBR-R-08	8	h8	●	●	●	●																-	0.14	
SBR-R-10	10	h8	●	●	●	●	●															-	0.22	
SBR-R-12	12	h8	●	●	●	●	●															-	0.32	
SBR-R-16	16	h8	●	●	●	●	●	●	●	●	●	●	●										-	0.56
SBR-R-20	20	h8	●	●	●	●	●	●	●	●	●	●	●										-	0.88
SBR-R-20	20	h9	●	●	●	●	●	●	●	●	●	●											2	0.32
SBR-R-25	25	h8	●	●	●	●	●	●	●	●	●	●											-	1.37
SBR-R-25	25	h9	●	●	●	●	●	●	●	●	●	●											3	0.59
SBR-R-30	30	h8	●	●	●	●	●	●	●	●	●	●	●	●	●								7.5	1.48
SBR-R-40	40	h8	●	●	●	●	●	●	●	●	●	●	●	●	●								10	2.63
SBR-R-50	50	h8	●	●	●	●	●	●	●	●	●	●	●	●	●	●	●						11	3.75

订购编码 Order P/N: SBR-A-06-1000

长度 Length

轴径 Shaft diameter

SBR 直线支撑轴 Supported Steel Shafts



产品特性 Product Features

- 材料 Material: SCS 高精度直线轴配合铝制支撑
SCS precision steel shafts with stangardaluminum support
- 高承载 High load
- 高精度 High precision
- 低成本 Low cost
- 特殊轴可根据要求定制, 请联系我们

Special shafts can be manufactured according to your requirement.
Please contact with us.

标准规格 Standard Size Sheet

订购编码 Order P/N	直径 Φ mm ²	公差 Tolerance g6	标准长度 Standard Length mm ²	最大长度 Max.Length mm ²	N mm ²	P mm ²	硬化厚度 Hardening Depth mm ²	重量 Weight kg/m
SBR-16	16	-0.006/-0.017	190 340 640 940	3000	20	150	1.00	1.58
SBR-20	20	-0.007/-0.020	340 640 940 1240	3000	20	150	1.50	2.47
SBR-25	25	-0.007/-0.020	250 450 850 1250	3000	25	200	1.50	3.85
SBR-30	30	-0.007/-0.020	450 850 1250 1450	3000	25	200	1.50	5.55
SBR-40	40	-0.009/-0.025	460 660 860 1060 1260	3000	30	200	2.00	9.87
SBR-50	50	-0.009/-0.025	470 670 870 1070 1270	3000	35	200	2.00	15.40

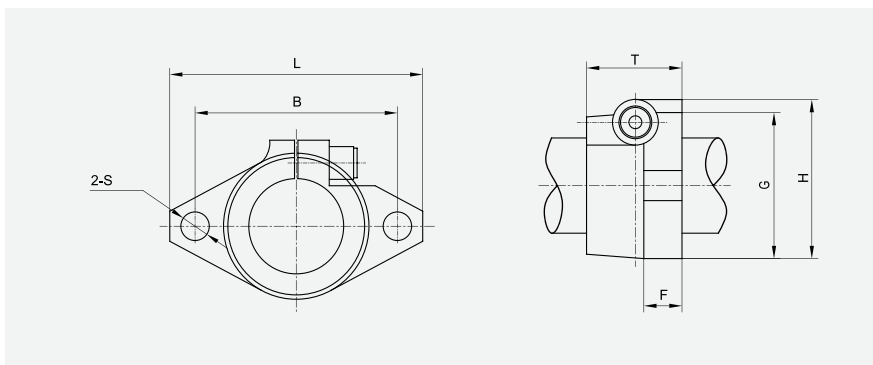
订购编码 Order P/N	直径 Φ mm ²	尺寸 Size (mm ²)										
		E	h	B	H	T	F	X	Y	C	S1	S2 d1 × d2 × 1
SBR-16	16	20	25	40	17.8	5	18.5	8	11.7	30	5.5	5.5 × 9.5 × 5.4
SBR-20	20	22.5	27	45	17.7	5	19	8	10	30	5.5	5.5 × 9.5 × 5.4
SBR-25	25	27.5	33	55	21	6	21.5	8	12	35	6.6	6.6 × 11 × 6.5
SBR-30	30	30	37	60	22.8	7	26.5	10.3	13	40	6.6	6.6 × 11 × 6.5
SBR-40	40	37.5	48	75	29.5	9	38	15.5	17	55	9	9 × 14 × 8.6
SBR-50	50	47.5	62	95	38.8	11	45	20	21	70	11	111 × 7.5 × 10.8

订购编码 Order P/N: SCS-06-1000



LIN 系列直线轴承 LIN Series Linear Bearings

SHF 法兰系列轴支撑 SHF shaft end block, Flange design



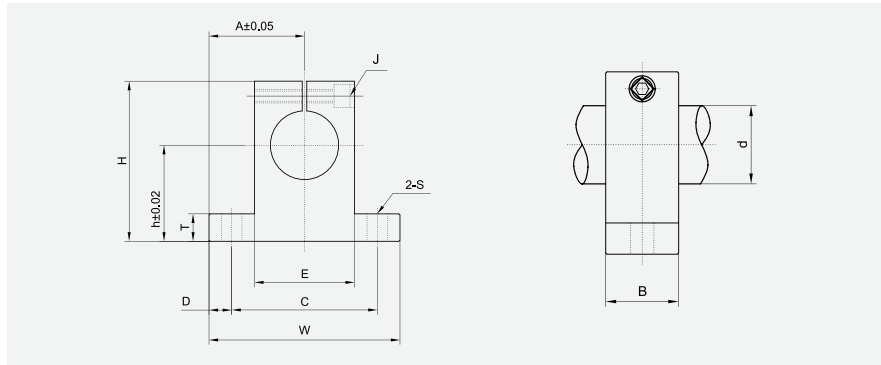
订购编码 Order P/N	轴径 Shaft mm ²	尺寸 Size (mm ²)							安装螺栓 Fitting screws	安全螺栓 Safety screws	重量 (g) Weight
		L	T	F	B	G	H	S			
SHF-10	10	43	10	5	32	20	24	5.5	M5	M4	13
SHF-12	12	47	13	7	36	25	28	5.5	M5	M4	20
SHF-16	16	50	16	8	40	28	31	5.5	M5	M4	27
SHF-20	20	60	20	8	48	34	37	7	M6	M5	40
SHF-25	25	70	25	10	56	40	42	7	M6	M5	60
SHF-30	30	80	30	12	64	46	50	9	M8	M6	110
SHF-40	40	102	40	16	80	56	67	12	M10	M10	510
SHF-50	50	122	50	19	96	70	83	14	M12	M12	890

订购编码 Order P/N: SHF-06

- 轴径 Shaft diameter
- 法兰设计轴支撑
Shaft end block, Flange design

LIN 系列直线轴承 LIN Series Linear Bearings

SH 系列窄设计直线轴承座 SH Pillow block, Short design



订购编码 Order P/N	轴径 Shaft mm ²	尺寸 Size (mm ²)											重量 (g) Weight
		h	A	W	H	T	E	D	C	B	S	J	
SH-10	10	20	21	42	32.8	6	18	5	32	14	Φ 5.5	M4	24
SH-12	12	23	21	42	37.5	6	20	5	32	14	Φ 5.5	M4	30
SH-16	16	27	24	48	44	8	25	5	38	16	Φ 5.5	M4	40
SH-20	20	31	30	60	51	10	30	7.5	45	20	Φ 6.6	M5	70
SH-25	25	35	35	70	60	12	38	7	56	24	Φ 6.6	M6	130
SH-30	30	42	42	84	70	12	44	10	64	28	Φ 9	M6	180
SH-40	40	60	57	114	96	15	60	12	90	36	Φ 11	M8	420
SH-50	50	70	63	126	120	18	74	13	100	40	Φ 14	M12	750

订购编码 Order P/N: SH - 06

轴径 Shaft diameter

标准设计轴支撑
Shaft end block, Standard design