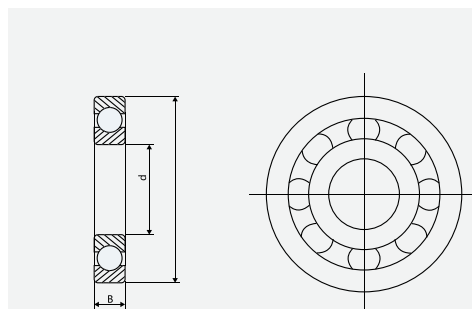


GB 系列滚动轴承尺寸规格表

GB Series Rolling Bearings Dimensions Table

订购编码 Order P/N	d mm ²	D mm ²	B mm ²	极限静载荷 Max.static load N	极限动载荷 Max.dynamic load N	极限转速 Max.speed RPM
GB20-6302	15	42	13	215	310	1080
GB20-16002	15	32	8	110	160	1350
GB20-6003	17	35	10	140	200	1260
GB20-6203	17	40	12	180	265	1125
GB20-6303	17	47	14	250	375	945
GB20-16003	17	35	8	135	200	1260
GB20-6004	20	42	12	165	250	1080
GB20-6204	20	47	14	225	350	945
GB20-6304	20	52	15	290	440	855
GB20-16004	20	42	8	160	240	1035
GB20-6005	25	47	12	200	300	945
GB20-6205	25	52	15	265	400	855
GB20-6305	25	62	17	330	500	655
GB20-16005	25	47	8	175	260	945
GB20-6006	30	55	13	235	350	810
GB20-6206	30	62	16	300	450	720
GB20-6306	30	72	19	380	580	610
GB20-16006	30	55	9	200	310	810
GB20-6007	35	62	14	265	400	720
GB20-6207	35	72	17	340	515	630
GB20-6307	35	80	21	405	625	540
GB20-16007	35	62	9	240	350	720
GB20-6008	40	68	15	290	430	675
GB20-6208	40	80	18	365	550	560
GB20-6308	40	90	23	455	690	468
GB20-16008	40	68	9	250	375	675
GB20-6009	45	75	16	315	465	585
GB20-6209	45	85	19	390	600	522
GB20-6309	45	100	25	450	750	450
GB20-16009	45	75	10	275	415	585
GB20-6010	50	80	16	325	480	540
GB20-6210	50	90	20	450	640	495
GB20-6011	55	90	18	335	500	495
GB20-6211	55	100	21	500	665	450
GB20-6012	60	95	18	350	530	450
GB20-6212	60	110	22	525	730	405
GB20-6013	65	100	18	365	555	430
GB20-6014	70	110	20	380	590	405

GB30 非金属滚动轴承 Nonmetallic Rolling Bearings



订购编码 Order P/N:

GB30 - 0612

产品规格 Specification

轴承材料标准配置
Standard material:
GB10、GB20、GB30
GB40、GB50

GB 系列滚动轴承尺寸规格表

GB Series Rolling Bearings Dimensions Table

订购编码 Order P/N	d mm ²	D mm ²	B mm ²	极限静载荷 Max.static load N	极限动载荷 Max.dynamic load N	极限转速 Max.speed RPM
GB30-623	3	10	4	25	40	4050
GB30-624	4	13	5	35	50	3240
GB30-625	5	16	5	40	55	2745
GB30-626	6	-	6	40	60	2340
GB30-607	7	19	6	35	50	2340
GB30-627	7	22	7	45	65	1980
GB30-608	8	22	7	45	65	1980
GB30-609	9	24	7	50	75	1845
GB30-629	9	26	8	60	85	1710
GB30-6000	10	26	8	75	110	1710
GB30-6200	10	30	9	110	140	1485
GB30-6300	10	35	11	160	235	1260
GB30-6001	12	28	8	90	135	1575
GB30-6201	12	32	10	125	180	1395
GB30-6301	12	37	12	175	260	1170
GB30-6002	15	32	9	110	160	1395
GB30-6202	15	35	11	140	210	1260
GB30-6302	15	42	13	215	310	1080
GB30-16002	15	32	8	110	160	1350
GB30-6003	17	35	10	140	200	1260
GB30-6203	17	40	12	180	265	1125
GB30-6303	17	47	14	250	375	945
GB30-16003	17	35	8	135	200	1260
GB30-6004	20	42	12	165	250	1080
GB30-6204	20	47	14	225	350	945
GB30-6304	20	52	15	290	440	855
GB30-16004	20	42	8	160	240	1035
GB30-6005	25	47	12	200	300	945
GB30-6205	25	52	15	265	400	855
GB30-6305	25	62	17	330	500	655
GB30-16005	25	47	8	175	260	945
GB30-6006	30	55	13	235	350	810
GB30-6206	30	62	16	300	450	720
GB30-6306	30	72	19	380	580	610
GB30-16006	30	55	9	200	310	810
GB30-6007	35	62	14	265	400	720
GB30-6207	35	72	17	340	515	630
GB30-6307	35	80	21	405	625	540
GB30-16007	35	62	9	240	350	720
GB30-6008	40	68	15	290	430	675
GB30-6208	40	80	18	365	550	560
GB30-6308	40	90	23	455	690	468
GB30-16008	40	68	9	250	375	675
GB30-6009	45	75	16	315	465	585
GB30-6209	45	85	19	390	600	522
GB30-6309	45	100	25	450	750	450
GB30-16009	45	75	10	275	415	585
GB30-6010	50	80	16	325	480	540
GB30-6210	50	90	20	450	640	495
GB30-6011	55	90	18	335	500	495
GB30-6211	55	100	21	500	665	450
GB30-6012	60	95	18	350	530	450
GB30-6212	60	110	22	525	730	405
GB30-6013	65	100	18	365	555	430
GB30-6014	70	110	20	380	590	405