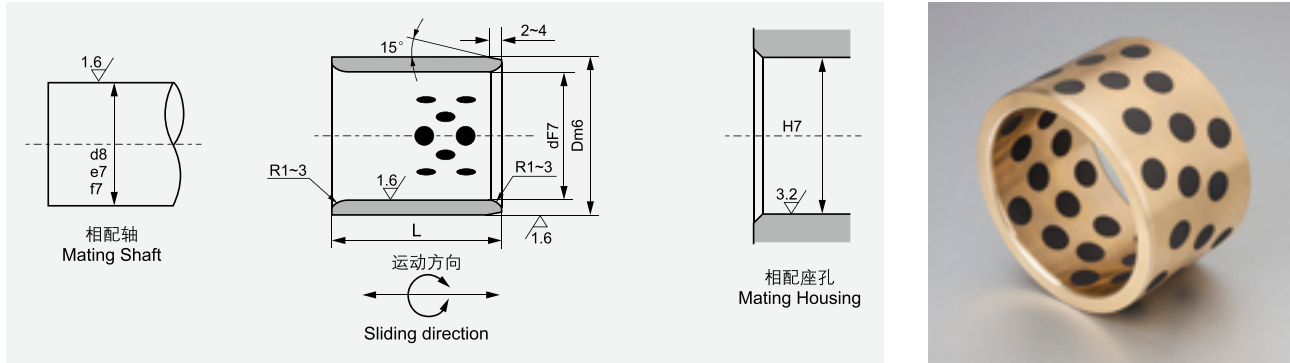


JDB-1 自润滑直套轴承标准公制尺寸

JDB-1 Self-lubricating Straight Bearings Standard Metric Size



单位Unit: mm²

| d | D | d F7 | D m6 | L ^{-0.10} _{-0.30} | | | | | | | | | | | | | |
|----|----|------|------|-------------------------------------|--------|--------|--------|--------|--------|--------|--------|--------|--------|--------|--------|--------|--------|
| | | | | 8 | 10 | 12 | 15 | 16 | 20 | 25 | 30 | 35 | 40 | 50 | 60 | 70 | 80 |
| 8 | 12 | 8 | 12 | 081208 | 081210 | 081212 | 081215 | | | | | | | | | | |
| 10 | 14 | 10 | 14 | 101408 | 101410 | 101412 | 101415 | 101416 | 101420 | | | | | | | | |
| 12 | 18 | 12 | 18 | | 121810 | 121812 | 121815 | 121816 | 121820 | 121825 | 121830 | | | | | | |
| 13 | 19 | 13 | 19 | | 131910 | 131912 | 131915 | 131916 | 131920 | 131925 | 131930 | | | | | | |
| 14 | 20 | 14 | 20 | | 142010 | 142012 | 142015 | 142016 | 142020 | 142025 | 142030 | | | | | | |
| 15 | 21 | 15 | 21 | | 152110 | 152112 | 152115 | 152116 | 152120 | 152125 | 152130 | 152135 | | | | | |
| 16 | 22 | 16 | 22 | | 162210 | 162212 | 162215 | 162216 | 162220 | 162225 | 162230 | 162235 | 162240 | | | | |
| 18 | 24 | 18 | 24 | | 182410 | 182412 | 182415 | 182416 | 182420 | 182425 | 182430 | 182435 | 182440 | | | | |
| 20 | 28 | 20 | 28 | | 202810 | 202812 | 202815 | 202816 | 202820 | 202825 | 202830 | 202835 | 202840 | 202850 | | | |
| 22 | 32 | 22 | 32 | | | 223212 | 223215 | 223216 | 223220 | 223225 | 223230 | 223235 | 223240 | 223250 | | | |
| 25 | 33 | 25 | 33 | | | 253312 | 253315 | 253316 | 253320 | 253325 | 253330 | 253335 | 253340 | 253350 | 253360 | | |
| 30 | 38 | 30 | 38 | | | 303812 | 303815 | 303816 | 303820 | 303825 | 303830 | 303835 | 303840 | 303850 | 303860 | | |
| 35 | 45 | 35 | 45 | | | | | | 354520 | 354525 | 354530 | 354535 | 354540 | 354550 | 354560 | 354570 | |
| 40 | 50 | 40 | 50 | | | | | | 405020 | 405025 | 405030 | 405035 | 405040 | 405050 | 405060 | 405070 | 405080 |
| 45 | 55 | 45 | 55 | | | | | | | | 455530 | 455535 | 455540 | 455550 | 455560 | 455570 | 455580 |
| 50 | 60 | 50 | 60 | | | | | | | | 506030 | 506035 | 506040 | 506050 | 506060 | 506070 | 506080 |

JDB-1 自润滑直套轴承标准公制尺寸

JDB-1 Self-lubricating Straight Bearings Standard Metric Size

 单位Unit: mm²

| d | D | dF7 | Dm6 | -0.10 L -0.30 | | | | | | | | | | | | | |
|-----|-----|---------------------------------------|-----|---------------------------------------|--------|--------|---------|---------|----------|----------|----------|-----------|-----------|-----------|-----------|-----------|--|
| | | | | 30 | 35 | 40 | 50 | 60 | 70 | 80 | 100 | 120 | 130 | 140 | 150 | | |
| 50 | 62 | 50 | 62 | | 506230 | 506235 | 506240 | 506250 | 506260 | 506270 | | | | | | | |
| | | ^{+0.050} / _{+0.025} | | | | | | | | | | | | | | | |
| 50 | 65 | 50 | 65 | | 506530 | 506535 | 506540 | 506550 | 506560 | 506570 | 506580 | 5065100 | | | | | |
| 55 | 70 | 55 | 70 | | 557030 | 557035 | 557040 | 557050 | 557060 | 557070 | 557080 | 5570100 | | | | | |
| 60 | 74 | 60 | 75 | ^{+0.030} / _{+0.011} | 607430 | 607435 | 607440 | 607450 | 607460 | 607470 | 607480 | 6074100 | | | | | |
| 60 | 75 | 60 | 75 | | 607530 | 607535 | 607540 | 607550 | 607560 | 607570 | 607580 | 6075100 | | | | | |
| 63 | 75 | 63 | 75 | | | 637535 | 637540 | 637550 | 637560 | 637570 | 637580 | 6375100 | | | | | |
| 65 | 80 | 65 | 80 | | | 658035 | 658040 | 658050 | 658060 | 658070 | 658080 | 6580100 | | | | | |
| 70 | 85 | 70 | 85 | ^{+0.060} / _{+0.030} | | 708535 | 708540 | 708550 | 708560 | 708570 | 708580 | 7085100 | | | | | |
| 70 | 90 | 70 | 90 | | | 709035 | 709040 | 709050 | 709060 | 709070 | 709080 | 7090100 | | | | | |
| 75 | 90 | 75 | 90 | | | | 759040 | 759050 | 759060 | 759070 | 759080 | 7590100 | | | | | |
| 75 | 95 | 75 | 95 | | | | 759540 | 759550 | 759560 | 759570 | 759580 | 7595100 | 7595120 | | | | |
| 80 | 96 | 80 | 96 | ^{+0.035} / _{+0.013} | | | 809640 | 809650 | 809660 | 809670 | 809680 | 8096100 | 8096120 | 8096130 | | | |
| 80 | 100 | 80 | 100 | | | | 8010040 | 8010050 | 8010060 | 8010070 | 8010080 | 80100100 | 80100120 | 80100130 | 80100140 | | |
| 90 | 110 | 90 | 110 | | | | | 9011050 | 9011060 | 9011070 | 9011080 | 90110100 | 90110120 | 90110130 | 90110140 | | |
| 100 | 120 | 100 | 120 | ^{+0.071} / _{+0.036} | | | | | 10012060 | 10012070 | 10012080 | 100120100 | 100120120 | 100120130 | 100120140 | | |
| 110 | 130 | 110 | 130 | | | | | | | | 11013080 | 110130100 | 110130120 | 110130130 | 110130140 | | |
| 120 | 140 | 120 | 140 | | | | | | | | 12014080 | 120140100 | 120140120 | 120140130 | 120140140 | | |
| 125 | 145 | 125 | 145 | | | | | | | | | 125145100 | 125145120 | 125145130 | 125145140 | | |
| 130 | 150 | 130 | 150 | ^{+0.040} / _{+0.015} | | | | | | | | 130150100 | 130150120 | 130150130 | 130150140 | 130150150 | |
| 140 | 160 | 140 | 160 | ^{+0.083} / _{+0.043} | | | | | | | | 140160100 | 140160120 | 140160130 | 140160140 | 140160150 | |
| 150 | 170 | 150 | 170 | | | | | | | | | 150170100 | 150170120 | 150170130 | 150170140 | 150170150 | |
| 160 | 180 | 160 | 180 | | | | | | | | | 160180100 | 160180120 | 160180130 | 160180140 | 160180150 | |