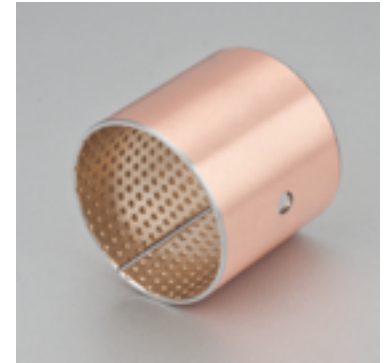
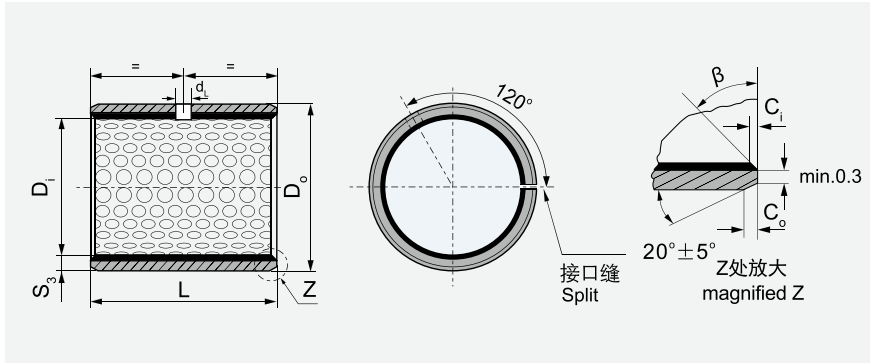


JF-800 双金属轴承规格及公差

JF-800 Bimetal Sleeve Bushing Specification & Tolerance



内外倒角 ID and OD chamfers

S ₃	C _o	C _i	β
0.75	0.5 ± 0.3	0.25 ± 0.2	35° ± 5°
1.00	0.6 ± 0.3	0.30 ± 0.2	35° ± 5°
1.50	0.7 ± 0.3	0.50 ± 0.3	35° ± 5°

S ₃	C _o	C _i	β
2.00	1.2 ± 0.4	0.50 ± 0.3	35° ± 5°
2.50	1.8 ± 0.6	0.60 ± 0.3	45° ± 5°

 单位unit:mm²

内径 D _i φ d	外径 D _o φ D	轴径(h8) Shaft D _s	座孔(H7) Housing D _H	压装后 内孔公差 Arter fixed D _{ia}	配合间隙 Clearance C _D	壁厚 Wall thickness S ₃	油孔 Oil hole d _L	长度 L ⁰ _{-0.40}						
								10	15	20	25	30	40	50
10	12	10 -0.022	12 +0.018	+0.148 +0.010	0.170 0.010	0.995 0.935	4	1010	1015	1020				
12	14	12 -0.027	14 +0.018		0.175 0.010			1210	1215	1220				
14	16	14 -0.027	16 +0.018		1410			1415	1420					
15	17	15 -0.027	17 +0.018		1510			1515	1520					
16	18	16 -0.027	18 +0.018		1610			1615	1620					
18	20	18 -0.027	20 +0.021		+0.151 +0.010			0.178 0.010	1810	1815	1820	1825		
20	23	20 -0.033	23 +0.021	+0.161 +0.020	0.194 0.020	1.490 1.430	6	2010	2015	2020	2025			
22	25	22 -0.033	25 +0.021					2210	2215	2220	2225			
24	27	24 -0.033	27 +0.021					2410	2415	2420	2425	2430		
25	28	25 -0.033	28 +0.021					2510	2515	2520	2525	2530		
26	30	26 -0.033	30 +0.021	+0.181 +0.040	0.214 0.040	1.980 1.920	8	2610	2615	2620	2625	2630		
28	32	28 -0.033	32 +0.025	+0.185 +0.040	0.224 0.040			2810	2815	2820	2825	2830	2840	
30	34	30 -0.033	34 +0.025					3010	3015	3020	3025	3030	3040	
32	36	32 -0.039	36 +0.025					3210	3215	3220	3225	3230	3240	
35	39	35 -0.039	39 +0.025					3510	3515	3520	3525	3530	3540	3550
38	42	38 -0.039	42 +0.025	3810	3815			3820	3825	3830	3840	3850		
40	44	40 -0.039	44 +0.025	4010	4015	4020	4025	4030	4040	4050				

JF-800 双金属轴承规格及公差

JF-800 Bimetal Sleeve Bushing Specification & Tolerance

内径 D _i φ d	外径 D _o φ D	轴径(h8) Shaft D _s		座孔(H7) Housing D _H		压装后 内孔公差 Arter fixed D _{1a}	配合间隙 Clearance C _D	壁厚 Wall thickness S ₃	油孔 Oil hole d _L	长度 L ⁰ _{-0.40}									
										25	30	40	50	60	80	90	100		
45	50	45	-0.039	50	+0.025	+0.225 +0.080	0.264 0.080	2.460 2.400	8	4525	4530	4540	4550						
50	55	50	-0.039	55	+0.030	+0.230 +0.080	0.269 0.080				5030	5040	5050	5060					
55	60	55	-0.046	60	+0.030						5530	5540	5550	5560					
60	65	60	-0.046	65	+0.030						6030	6040	6050	6060					
65	70	65	-0.046	70	+0.030					0.276 0.080	6530	6540	6550	6560					
70	75	70	-0.046	75	+0.030						7030	7040	7050	7060	7080				
75	80	75	-0.046	80	+0.030						7530	7540	7550	7560	7580				
80	85	80	-0.046	85	+0.035	+0.235 +0.080	0.281 0.080			8030	8040	8050	8060	8080	8090				
85	90	85	-0.054	90	+0.035					8530	8540	8550	8560	8580	8590	85100			
90	95	90	-0.054	95	+0.035						9040	9050	9060	9080	9090	90100			
95	100	95	-0.054	100	+0.035							9550	9560	9580	9590	95100			
100	105	100	-0.054	105	+0.035				0.289 0.080				10050	10060	10080	10090	100100		
105	110	105	-0.054	110	+0.035								10550	10560	10580	10590	105100		
110	115	110	-0.054	115	+0.035	+0.240 +0.080	0.303 0.080		9.5				11050	11060	11080	11090	110100		
115	120	115	-0.054	120	+0.035										11550	11560	11580	11590	115100
120	125	120	-0.054	125	+0.040										12050	12060	12080	12090	120100
125	130	125	-0.063	130	+0.040											12560	12580	12590	125100
130	135	130	-0.063	135	+0.040											13060	13080	13090	130100
135	140	135	-0.063	140	+0.040											13560	13580	13590	135100
140	145	140	-0.063	145	+0.040								14060	14080	14090	140100			
150	155	150	-0.063	155	+0.040								15060	15080	15090	150100			