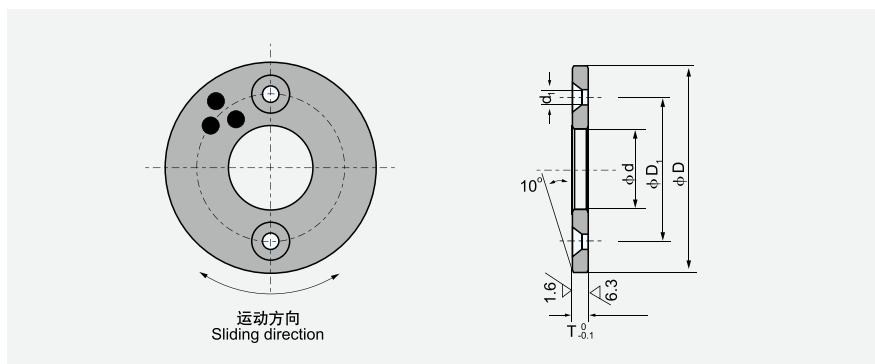


JTW 自润滑止推垫片标准公制尺寸

JTW Self-lubricating Thrust Washer Standard Metric Size


 单位Unit: mm²

型号规格 Standard No.	ϕd	ϕD	T	螺孔 Bolt Hole			
				ϕD_1	平头螺钉 Crop Bolt	ϕd_1	孔数 Bore Number
JDB-JTW-10	10.2	30	3	20	M3	3.5	2
JDB-JTW-12	12.2	40	"	28	"	"	"
JDB-JTW-13	13.2	"	"	"	"	"	"
JDB-JTW-14	14.2	"	"	"	"	"	"
JDB-JTW-15	15.2	50	"	35	"	"	"
JDB-JTW-16	16.2	"	"	"	"	"	"
JDB-JTW-18	18.2	"	"	"	"	"	"
JDB-JTW-20	20.2	"	5	"	M5	6	"
JDB-JTW-25	25.2	55	"	40	"	"	"
JDB-JTW-30	30.2	60	"	45	"	"	"
JDB-JTW-35	35.2	70	"	50	M6	7	"
JDB-JTW-40	40.2	80	7	60	"	"	"
JDB-JTW-45	45.3	90	"	70	"	"	"
JDB-JTW-50	50.3	100	8	75	"	"	4
JDB-JTW-55	55.3	110	"	85	"	"	"
JDB-JTW-60	60.3	120	"	90	M8	9	"
JDB-JTW-65	65.3	125	"	95	"	"	"
JDB-JTW-70	70.3	130	10	100	"	"	"
JDB-JTW-75	75.3	140	"	110	"	"	"
JDB-JTW-80	80.3	150	"	120	"	"	"
JDB-JTW-90	90.5	170	"	140	M10	11	"
JDB-JTW-100	100.5	190	"	160	"	"	"
JDB-JTW-120	120.5	200	"	175	"	"	"