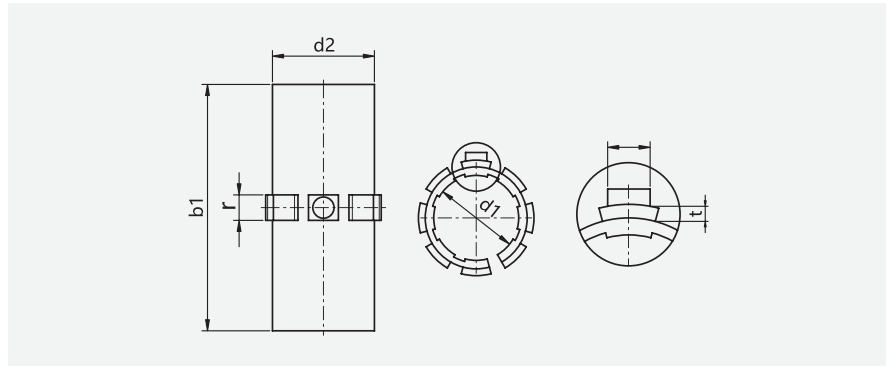


LIN 系列塑料轴承

LIN Series Linear Bearings technology

LIN-01 系列滑动膜 LIN-01 Series of Sliding Membranes

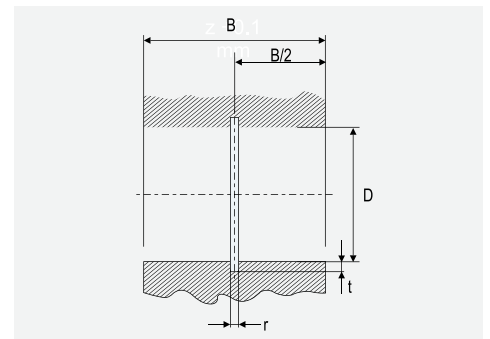


座孔 Housing:H7 轴 Shaft:h6-h9

订购编码 Order P/N	d1 mm ²	公差 Tolerance mm ²	d2 mm ²	b1 mm ²	r(-0.1/-0.2) mm ²	重量 Weight g
LIN-01-10	10	+0.030/-0.070	12	29	3.0	1.3
LIN-01-12	12	+0.030/-0.070	14	31	3.0	1.6
LIN-01-16	16	+0.030/-0.070	18	35	3.5	2.2
LIN-01-20	20	+0.030/-0.070	23	44	5.0	5.0
LIN-01-25	25	+0.030/-0.070	28	57	5.0	8.0
LIN-01-30	30	+0.040/-0.085	34	67	5.0	15.1
LIN-01-40	40	+0.040/-0.085	44	79	6.0	25.6
LIN-01-50	50	+0.040/-0.085	55	99	7.0	50.6

装配尺寸 Installation size

订购编码 Order P/N	轴径 Shaft mm ²	D mm ² h7	B mm ² h10	r mm ²	t mm ²
LIN-01-10	10	12	29	3.0	1.0
LIN-01-12	12	14	32	3.0	1.0
LIN-01-16	16	18	36	3.5	1.0
LIN-01-20	20	23	45	5.0	1.0
LIN-01-25	25	28	58	5.0	1.0
LIN-01-30	30	34	68	5.0	1.0
LIN-01-40	40	44	80	6.0	1.5
LIN-01-50	50	55	100	7.0	1.5



配合 LIN-01 系列滑动膜产品系列: Membranes of the LIN-01 Series are used in:



订购编码 Order P/N:

LIN-01 - 10

内径 Inner diameter

 标准开口系列 01K
Standard split type 01K