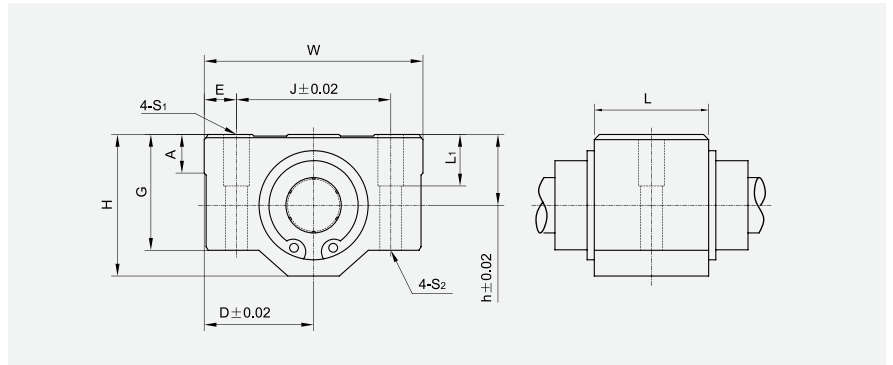
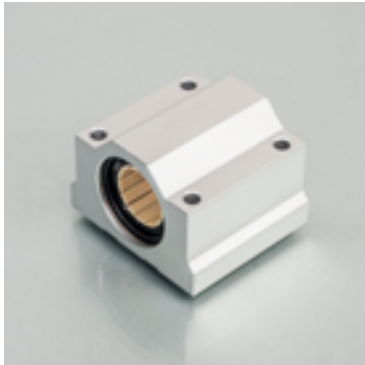


# LIN 系列直线轴承

## LIN Series Linear Bearings

### LIN-01G 系列窄设计直线轴承座 LIN-01G Pillow Block, Short Design



轴 Shaft: h6-h9

订购编码 Order P/N	安装轴承 Bearing mm <sup>2</sup>	轴径 Shaft mm <sup>2</sup>	尺寸 Size(mm <sup>3</sup> )										
			h	D	W	H	G	A	J	E	S <sub>1</sub> × L <sub>1</sub>	S <sub>2</sub>	L
LIN-01G-16	LIN-01R-16	φ 16	19	25	50	38.5	32.5	9	36	7	M5 × 12	φ4.3	22.3
LIN-01G-20	LIN-01R-20	φ 20	21	27	54	41	35	11	40	7	M6 × 12	φ5.2	28.3
LIN-01G-25	LIN-01R-25	φ 25	26	38	76	51.5	41	12	54	11	M8 × 18	φ7	40.4
LIN-01G-30	LIN-01R-30	φ 30	30	39	78	59.5	49	15	58	10	M8 × 18	φ7	48.4
LIN-01G-40	LIN-01R-40	φ 40	40	51	102	78	62	20	80	11	M10 × 25	φ8.7	56.4

订购编码 Order P/N	内径 I.D mm <sup>2</sup>	I.D 公差 Tolerance mm <sup>2</sup>	极限动载荷 Dynamic Load P=5MPa	极限静载荷 Static Load P=35Mpa	重量 (g) Weight
LIN-01G-16	16	+0.030/-0.088	1728N	12096N	67
LIN-01G-20	20	+0.030/-0.091	2700N	18900N	90
LIN-01G-25	25	+0.030/-0.091	4350N	30650N	193
LIN-01G-30	30	+0.040/-0.110	6120N	42840N	260
LIN-01G-40	40	+0.040/-0.115	9600N	67200N	641

订购编码 Order P/N: LIN-01 G-16

- 轴承内径 Inner diameter
- 窄设计直线轴承座  
Pillow block, short design
- LIN-01R 系列直线轴承 LIN-01R Standard Bearings