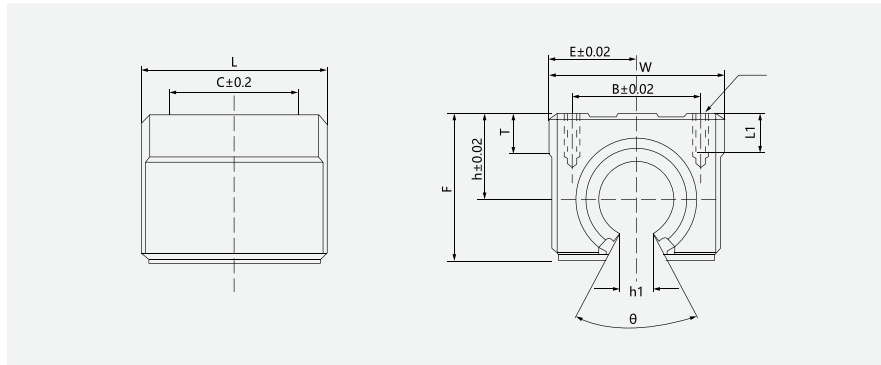


LIN 系列直线轴承

LIN Series Linear Bearings

LIN-01GK 系列窄设计直线轴承座 LIN-01GK Pillow Block, Short Design



轴 Shaft: h6-h9

订购编码 Order P/N	安装轴承 Bearing mm ²	轴径 Shaft mm ²	尺寸 Size(mm ²)											
			h	E	W	L	F	h1	θ	B	C	S	L1	T
LIN-01GK-10	LIN-01RK-10	10	15	18	36	32	24	6	80°	25	20	M5	10	7
LIN-01GK-12	LIN-01RK-12	12	17	20	40	39	27.6	8.5	80°	28	28	M5	10	8
LIN-01GK-16	LIN-01RK-16	16	20	22.5	45	45	33	10	80°	32	30	M5	12	9
LIN-01GK-20	LIN-01RK-20	20	23	24	48	50	39	10	60°	35	35	M6	12	11
LIN-01GK-25	LIN-01RK-25	25	27	30	60	65	47	11.5	50°	40	40	M6	12	14
LIN-01GK-30	LIN-01RK-30	30	33	35	70	70	56	14	50°	50	50	M8	18	15
LIN-01GK-40	LIN-01RK-40	40	42	45	90	90	72	19	50°	65	65	M10	20	20
LIN-01GK-50	LIN-01RK-50	50	53	60	120	110	92	23	50°	94	94	M10	20	25

订购编码 Order P/N	轴径 Shaft mm ²	座孔 Housing mm ² H7	公差 Tolerance mm ²	极限动载荷 Dynamic Load P=5MPa	极限静载荷 Static Load P=35Mpa	重量 (g) Weight
LIN-01GK-10	10	19	0/+0.021	870N	6090N	45
LIN-01GK-12	12	22	0/+0.021	1152N	8064N	82
LIN-01GK-16	16	26	0/+0.021	1728N	12096N	125
LIN-01GK-20	20	32	0/+0.025	2700N	18900N	159
LIN-01GK-25	25	40	0/+0.025	4350N	30650N	343
LIN-01GK-30	30	47	0/+0.025	6120N	42840N	450
LIN-01GK-40	40	62	0/+0.030	9600N	67200N	790
LIN-01GK-50	50	75	0/+0.030	15000N	105000N	1500

订购编码 Order P/N: LIN-01 GK-16

- 轴承内径 Inner diameter
- 窄设计直线轴承座 Pillow block, short design
- LIN-11RK 系列直线轴承 LIN-11RK Standard Bearings