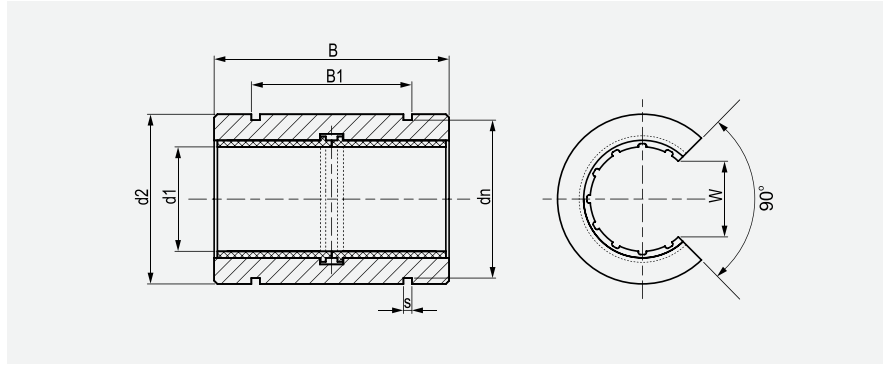


# LIN 系列直线轴承

## LIN Series Linear Bearings

### LIN-01RSK 系列直线轴承 LIN-01RSK Linear Bearings



座孔 Housing:H7 轴 Shaft:h6-h9

订购编码 Order P/N	d1 mm <sup>2</sup>	公差 Tolerance mm <sup>2</sup>	d2 h7 mm <sup>2</sup>	B h10 mm <sup>2</sup>	B1 H10 mm <sup>2</sup>	W mm <sup>2</sup>	s H10 mm <sup>2</sup>	dn h10 mm <sup>2</sup>
LIN-01RSK-10	10	+0.030/+0.088	19	29	21.6	7.3	1.30	17.5
LIN-01RSK-12	12	+0.030/+0.088	22	32	22.6	9.0	1.30	20.5
LIN-01RSK-16	16	+0.030/+0.088	26	36	24.6	11.6	1.30	24.2
LIN-01RSK-20	20	+0.030/+0.091	32	45	31.2	12.0	1.60	29.6
LIN-01RSK-25	25	+0.030/+0.091	40	58	43.7	14.5	1.85	36.5
LIN-01RSK-30	30	+0.040/+0.110	47	68	51.7	16.6	1.85	43.5
LIN-01RSK-40	40	+0.040/+0.115	62	80	60.3	21.0	2.15	57.8
LIN-01RSK-50	50	+0.050/+0.130	75	100	77.3	25.5	2.65	70.5

订购编码 Order P/N	轴径 Shaft mm <sup>2</sup>	座孔 Housing mm <sup>2</sup> H7	公差 Tolerance mm <sup>2</sup>	极限动载荷 Dynamic Load P=5MPa	极限静载荷 Static Load P=35Mpa	重量 (g) Weight
LIN-01RSK-10	10	19	0/+0.021	870N	6090N	9
LIN-01RSK-12	12	22	0/+0.021	1152N	8064N	15
LIN-01RSK-16	16	26	0/+0.021	1728N	12096N	21
LIN-01RSK-20	20	32	0/+0.025	2700N	18900N	37
LIN-01RSK-25	25	40	0/+0.025	4350N	30650N	78
LIN-01RSK-30	30	47	0/+0.025	6120N	42840N	122
LIN-01RSK-40	40	62	0/+0.030	9600N	67200N	256
LIN-01RSK-50	50	75	0/+0.030	15000N	105000N	442

订购编码 Order P/N: LIN-01 RSK-10

