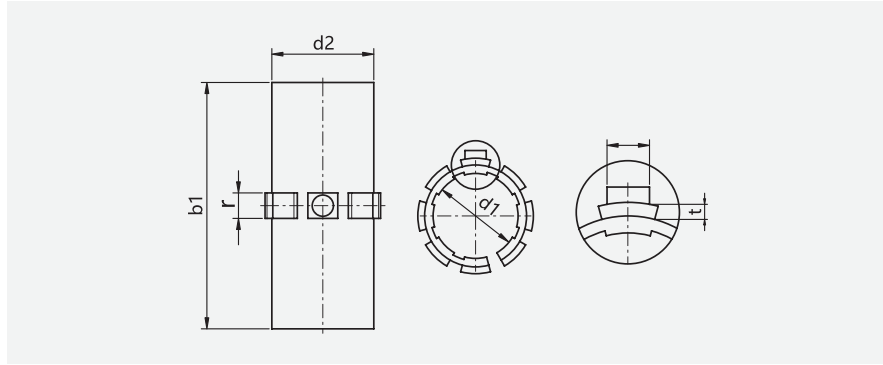


LIN 系列塑料轴承

LIN Series Linear Bearings technology

LIN-02 系列滑动膜 LIN-02 Series of Sliding Membranes

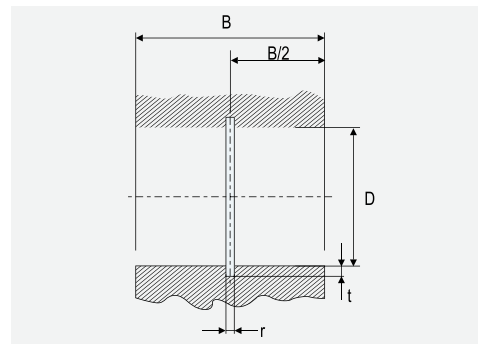


座孔 Housing:H7 轴 Shaft:h6-h9

| 订购编码 Order P/N | d1 mm ² | 公差 Tolerance mm ² | d2 mm ² | b1 mm ² | r(-0.1/-0.2) mm ² | 重量 Weight g |
|-------------------|-----------------------|---------------------------------|-----------------------|-----------------------|---------------------------------|----------------|
| LIN-02-10 | 10 | +0.030/-0.070 | 12 | 25 | 3.0 | 1.1 |
| LIN-02-12 | 12 | +0.030/-0.070 | 14 | 27 | 3.0 | 1.4 |
| LIN-02-16 | 16 | +0.030/-0.070 | 18 | 29 | 3.5 | 1.9 |
| LIN-02-20 | 20 | +0.030/-0.070 | 23 | 29 | 5.0 | 3.3 |
| LIN-02-25 | 25 | +0.030/-0.070 | 28 | 39 | 5.0 | 5.5 |
| LIN-02-30 | 30 | +0.040/-0.085 | 34 | 49 | 5.0 | 11.1 |
| LIN-02-40 | 40 | +0.040/-0.085 | 44 | 59 | 6.0 | 19.0 |
| LIN-02-50 | 50 | +0.050/-0.100 | 55 | 69 | 7.0 | 35.3 |

装配尺寸 Installation size

| 订购编码 Order P/N | 轴径 Shaft mm ² | D mm ² h7 | B mm ² h10 | r mm ² | t mm ² |
|-------------------|--------------------------------|----------------------------|-----------------------------|----------------------|----------------------|
| LIN-02-10 | 10 | 12 | 26 | 3.0 | 1.0 |
| LIN-02-12 | 12 | 14 | 28 | 3.0 | 1.0 |
| LIN-02-16 | 16 | 18 | 30 | 3.5 | 1.0 |
| LIN-02-20 | 20 | 23 | 30 | 5.0 | 1.0 |
| LIN-02-25 | 25 | 28 | 40 | 5.0 | 1.0 |
| LIN-02-30 | 30 | 34 | 50 | 5.0 | 1.0 |
| LIN-02-40 | 40 | 44 | 60 | 6.0 | 1.5 |
| LIN-02-50 | 50 | 55 | 70 | 7.0 | 1.5 |



配合 LIN-02 系列滑动膜产品系列： Membranes of the LIN-02 Series are used in:



订购编码 Order P/N:

LIN-02-10

内径 Inner diameter

 标准开口系列 02
Standard series 02