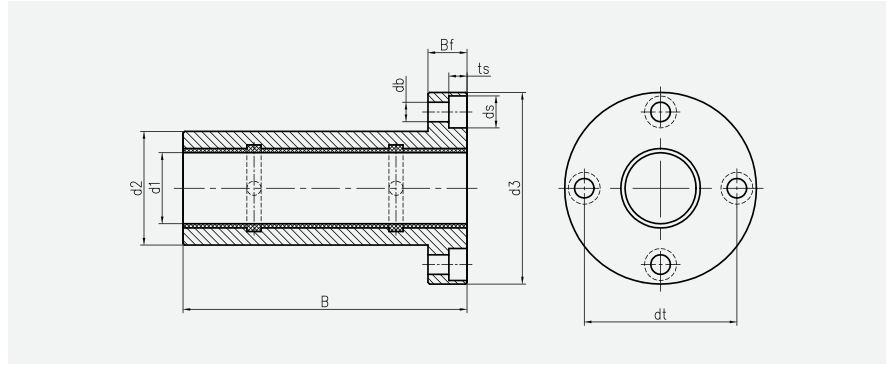


LIN 系列直线轴承 LIN Series Linear Bearings

LIN-02RFL 加长型方法兰塑料直线轴承 Angular Flange Linear Bearings (Long design)



座孔 Housing:H7 轴 Shaft:h6-h9

订购编码 Order P/N	d1 mm ²	d2 mm ²	d3 mm ²	dt mm ²	k mm ²	B mm ²	Bf mm ²	ts mm ²	db mm ²	ds mm ²
LIN-02RFL-10	10	19	39	29	30	52	9	4.1	4.5	7.5
LIN-02RFL-12	12	22	42	32	32	57	9	4.1	4.5	7.5
LIN-02RFL-16	16	26	46	36	35	70	9	4.1	4.5	7.5
LIN-02RFL-20	20	32	54	43	42	80	11	5.1	5.5	9.0
LIN-02RFL-25	25	40	62	51	50	112	11	5.1	5.5	9.0
LIN-02RFL-30	30	47	76	62	60	123	14	6.1	6.6	11.0
LIN-02RFL-40	40	62	98	80	75	151	18	8.1	9.0	14.0
LIN-02RFL-50	50	75	112	94	88	192	18	8.1	9.0	14.0

订购编码 Order P/N	轴径 Shaft mm ²	公差 Tolerance mm ²	极限动载荷 Dynamic Load P=5MPa	极限静载荷 Static Load P=35Mpa	重量 (g) Weight
LIN-02RFL-10	10	+0.030/+0.080	1300	9100	44
LIN-02RFL-12	12	+0.030/+0.080	1680	11760	57
LIN-02RFL-16	16	+0.030/+0.080	2400	16800	79
LIN-02RFL-20	20	+0.030/+0.091	3000	21000	126
LIN-02RFL-25	25	+0.030/+0.091	5000	35000	249
LIN-02RFL-30	30	+0.030/+0.110	7500	52500	388
LIN-02RFL-40	40	+0.030/+0.115	12000	84000	835
LIN-02RFL-50	50	+0.030/+0.130	17500	122500	1352

订购编码 Order P/N: LIN-02 RFL-10

- 内径 Inner diameter
- 圆法兰加长型保持器
Round Flange Aluminum housing(Long Design)
- LIN-02 系列标准滑动膜 LIN-02 Standard membranes