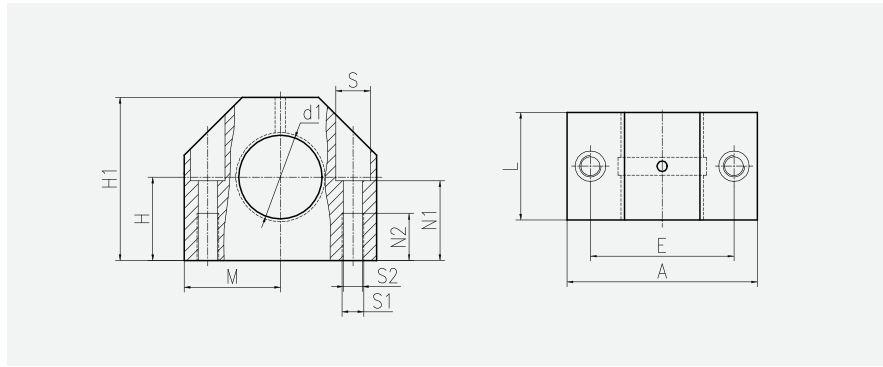
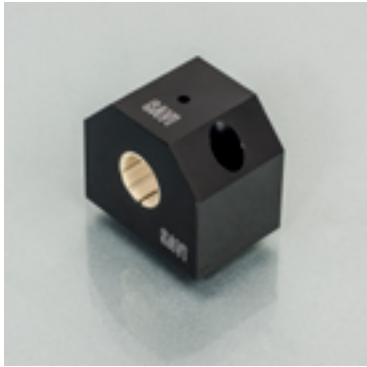


# LIN 系列直线轴承

## LIN Series Linear Bearings

### LIN-05 高精度直线轴承座 LIN-05 Precision linear bearing



订购编码 Order P/N	轴 Axis mm <sup>2</sup>	公差 Tolerance mm <sup>2</sup>	F max. 动态 P=5 MPa	F max. 静态 P=35 MPa	重量 Weight g
LIN-05-10	10	+0.030 +0.088	650	4,550	71
LIN-05-12	12	+0.030 +0.088	840	5,880	78
LIN-05-16	16	+0.030 +0.088	1,200	8,400	106
LIN-05-20	20	+0.030 +0.091	1,500	10,500	132
LIN-05-25	25	+0.030 +0.091	2,500	17,500	253
LIN-05-30	30	+0.040 +0.110	3,750	26,250	374
LIN-05-40	40	+0.040 +0.115	6,000	42,000	713
LIN-05-50	50	+0.050 +0.130	8,750	61,250	1,168

### 装配尺寸 Installation size

订购编码 Order P/N	d1	H +0.01 -0.014	H1	A	M	E ± 0.15	S	S1	S2	N1	N2	L
LIN-05-10	12	16	33	40	20.0	29	8.0	4.3	M5	16	11	26
LIN-05-12	12	17	33	40	20.0	29	8.0	4.3	M5	16	11	28
LIN-05-16	14	19	38	45	22.5	34	8.0	4.3	M5	18	11	30
LIN-05-20	23	23	45	53	26.5	40	9.5	5.3	M6	22	13	30
LIN-05-25	28	27	54	62	31.0	48	11.0	6.6	M8	26	18	40
LIN-05-30	34	30	60	67	33.5	53	11.0	6.6	M8	29	18	50
LIN-05-40	44	39	76	87	43.5	69	15.0	8.4	M10	38	22	60
LIN-05-50	55	47	92	103	51.5	82	18.0	10.5	M12	46	26	70

订购编码 Order P/N: LIN-05-12

└─ 内径 Inner diameter  
└─ 标准开口系列 05  
Standard series05