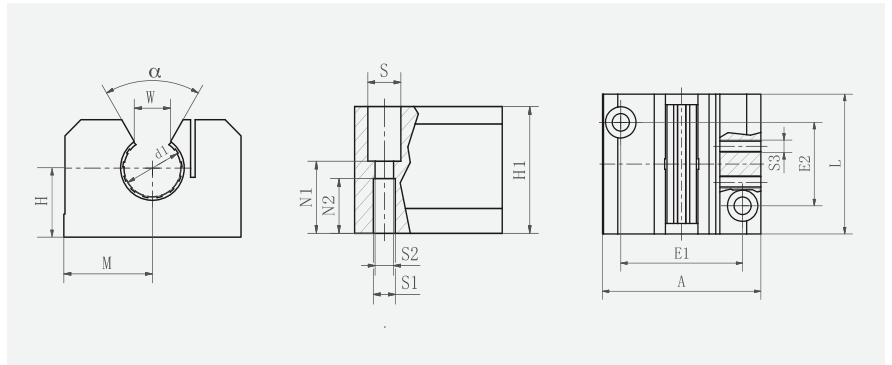


LIN 系列直线轴承 LIN Series Linear Bearings

LIN-06E 加长型高精度直线轴承座 LIN-06E Long precision linear bearing



订购编码 Order P/N	轴 Axis mm ²	公差 Tolerance mm ²	F max. 动态 P=5 MPa			F max. 静态 P=35 MPa			重量 Weight g
			0°	90°	180°	0°	90°	180°	
LIN-06E-12	12	可调	960	635	240	6,720	4,445	1,680	100
LIN-06E-16	16	可调	1,440	990	396	10,080	6,943	2,772	160
LIN-06E-20	20	可调	2,250	1,800	900	15,750	12,600	6,300	270
LIN-06E-25	25	可调	3,625	2,953	1,523	25,375	20,670	10,658	530
LIN-06E-30	30	可调	5,100	4,250	2,278	35,700	29,735	15,946	820
LIN-06E-40	40	可调	8,000	6,810	3,800	56,000	47,660	26,600	1,490
LIN-06E-50	50	可调	12,500	10,750	6,125	87,500	75,265	42,875	2,750

装配尺寸 Installation size

订购编码 Order P/N	d1	H	H1	A	M	E ±0.15	E1 ±0.15	S	S1	S2	N1	N2	w -1	α °	L
LIN-06E-12	12	18	28	43	21.5	32	23	8.0	M5	4.3	16.5	11	10.2	78	39
LIN-06E-16	16	19	35	53	26.5	40	26	10.0	M6	5.3	21.0	13	11.6	78	43
LIN-06E-20	20	22	42	60	30.0	45	32	11.0	M8	6.6	24.0	18	12.0	60	54
LIN-06E-25	25	30	51	78	39.0	60	40	15.0	M10	8.4	29.0	22	14.5	60	67
LIN-06E-30	30	35	60	87	43.5	68	45	15.0	M10	8.4	34.0	22	16.6	57	79
LIN-06E-40	40	45	77	108	45.0	86	58	18.0	M12	10.5	44.0	26	21.0	56	91
LIN-06E-50	50	50	88	132	66.0	108	50	20.0	M16	13.5	49.0	34	25.5	54	113

订购编码 Order P/N: LIN-06E--12

内径 Inner diameter

标准开口系列 06
Standard series 05