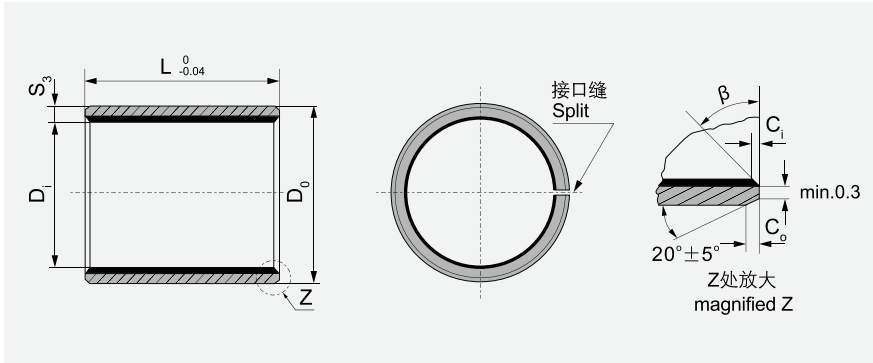


SF-10 轴套规格及公差

SF-10 Sleeve Bushing Specification & Tolerance



内外倒角 ID and OD chamfers

S ₃	C _o	C _i	β
0.75	0.5 ± 0.3	0.25 ± 0.2	30° ± 5°
1.00	0.6 ± 0.3	0.30 ± 0.2	30° ± 5°
1.50	0.7 ± 0.3	0.50 ± 0.3	30° ± 5°

S ₃	C _o	C _i	β
2.00	1.2 ± 0.4	0.50 ± 0.3	30° ± 5°
2.50	1.8 ± 0.6	0.60 ± 0.3	45° ± 5°

单位Unit: mm²

轴径(f7) Shaft D _s	座孔(H7) Housing D _H	(OD) 外径公差 Tolerance D _o	(ID)压装后 内孔公差 After fixed D _{ia}	配合间隙 Clearance D _o	壁厚 Wall thick- ness S ₃	长度 L ⁰ _{-0.40}													
						6	8	10	12	15	20	25	30	40	50				
6	-0.010 -0.022	8	+0.015	8	+0.055 +0.025	6.055 5.990	0.077 0.000	1.005 0.980	0606	0608	0610								
8	-0.013 -0.028	10	+0.015	10	+0.055 +0.025	8.055 7.990	0.083 0.003		0806	0808	0810	0812	0815						
10	-0.013 -0.028	12	+0.018	12	+0.065 +0.030	10.058 9.990	0.086 0.003		1006	1008	1010	1012	1015	1020					
12	-0.016 -0.034	14	+0.018	14	+0.065 +0.030	12.058 11.990	0.092 0.006		1206	1208	1210	1212	1215	1220	1225				
13	-0.016 -0.034	15	+0.018	15	+0.065 +0.030	13.058 12.990						1310	1312	1315	1320	1325			
14	-0.016 -0.034	16	+0.018	16	+0.065 +0.030	14.058 13.990						1410	1412	1415	1420	1425			
15	-0.016 -0.034	17	+0.018	17	+0.065 +0.030	15.058 14.990						1510	1512	1515	1520	1525			
16	-0.016 -0.034	18	+0.018	18	+0.065 +0.030	16.058 15.990						1610	1612	1615	1620	1625			
17	-0.016 -0.034	19	+0.021	19	+0.075 +0.035	17.061 16.990			0.095 0.006				1710	1712	1715	1720	1725		
18	-0.016 -0.034	20	+0.021	20	+0.075 +0.035	18.061 17.990						1810	1812	1815	1820	1825			
20	-0.020 -0.041	23	+0.021	23	+0.075 +0.035	20.071 19.990	0.112 0.010					2010	2012	2015	2020	2025	2030		
22	-0.020 -0.041	25	+0.021	25	+0.075 +0.035	22.071 21.990					2210	2212	2215	2220	2225	2230			
24	-0.020 -0.041	27	+0.021	27	+0.075 +0.035	24.071 23.990					2410	2412	2415	2420	2425	2430			
25	-0.020 -0.041	28	+0.021	28	+0.075 +0.035	25.071 24.990					2510	2512	2515	2520	2525	2530	2540	2550	
28	-0.020 -0.041	32	+0.025	32	+0.085 +0.045	28.085 27.990		0.126 0.010				2812	2815	2820	2825	2830	2840	2850	
30	-0.020 -0.041	34	+0.025	34	+0.085 +0.045	30.085 29.990					3012	3015	3020	3025	3030	3040	3050		
32	-0.025 -0.050	36	+0.025	36	+0.085 +0.045	32.085 31.990	0.135 0.015				3212	3215	3220	3225	3230	3240	3250		
35	-0.025 -0.050	39	+0.025	39	+0.085 +0.045	35.085 34.990					3512	3515	3520	3525	3530	3540	3550		
38	-0.025 -0.050	42	+0.025	42	+0.085 +0.045	38.085 37.990					3812	3815	3820	3825	3830	3840	3850		
40	-0.025 -0.050	44	+0.025	44	+0.085 +0.045	40.085 39.990					4012	4015	4020	4025	4030	4040	4050		

SF-10 轴套规格及公差

SF-10 Sleeve Bushing Specification & Tolerance

轴径(f7) Shaft D _s	座孔(H7) Housing D _H	(OD) 外径公差 Tolerance D _O		(ID)压装后 内孔公差 After fixed D _{1a}	配合间隙 Clearance D _O	壁厚 Wall thick- ness S ₃	长度 L ⁰ -0.40															
							20	25	30	40	50	60	70	80	100	115						
45	-0.050 -0.025	50	+0.025	50	+0.085 +0.045	45.105 44.990	0.155 0.015	2.505 2.460	4520	4525	4530	4540	4550									
50	-0.050 -0.025	55	+0.030	55	+0.100 +0.055	50.110 49.990	0.160 0.015		5020	5025	5030	5040	5050	5060								
55	-0.060 -0.030	60	+0.030	60	+0.100 +0.055	55.110 54.990	0.170 0.020				5530	5540	5550	5560								
60	-0.060 -0.030	65	+0.030	65	+0.100 +0.055	60.110 59.990					6030	6040	6050	6060	6070							
65	-0.060 -0.030	70	+0.030	70	+0.100 +0.055	65.110 64.990					6530	6540	6550	6560	6570							
70	-0.060 -0.030	75	+0.030	75	+0.100 +0.055	70.110 69.990					7030	7040	7050	7060	7070	7080						
75	-0.060 -0.030	80	+0.030	80	+0.100 +0.055	75.110 74.990					7530	7540	7550	7560	7570	7580						
80	-0.045	85	+0.035	85	+0.120 +0.070	80.155 80.020	0.201 0.020	2.490 2.440				8040	8050	8060	8070	8080	80100					
85	-0.054	90	+0.035	90	+0.120 +0.070	85.155 85.020	0.209 0.020					8540	8550	8560	8570	8580	85100					
90	-0.054	95	+0.035	95	+0.120 +0.070	90.155 90.020						9040	9050	9060	9070	9080	90100					
95	-0.054	100	+0.035	100	+0.120 +0.070	95.155 95.020							9550	9560	9570	9580	95100					
100	-0.054	105	+0.035	105	+0.120 +0.070	100.155 100.020							10050	10060	10070	10080	100100	100115				
105	-0.054	110	+0.035	110	+0.120 +0.070	105.155 105.020								10560	10570	10580	105100	105115				
110	-0.054	115	+0.035	115	+0.120 +0.070	110.115 110.020								11060	11070	11080	110100	110115				
120	-0.054	125	+0.040	125	+0.170 +0.100	120.210 120.070		0.264 0.070	2.465 2.415					12060	12070	12080	120100	120115				
125	-0.063	130	+0.040	130	+0.170 +0.100	125.210 125.070	0.273 0.070						12560	12570	12580	125100	125115					
130	-0.063	135	+0.040	135	+0.170 +0.100	130.210 130.070							13060	13070	13080	130100	130115					
140	-0.063	145	+0.040	145	+0.170 +0.100	140.210 140.070							14060	14070	14080	140100	140115					
150	-0.063	155	+0.040	155	+0.170 +0.100	150.210 150.070							15060	15070	15080	150100	150115					
160	-0.063	165	+0.040	165	+0.170 +0.100	160.210 160.070							16060	16070	16080	160100	160115					
180	-0.063	185	+0.046	185	+0.210 +0.130	180.216 180.070		0.279 0.070		2.465 2.415					18060	18070	18080	180100				
190	-0.072	195	+0.046	195	+0.210 +0.130	190.216 190.070		0.288 0.070						19060	19070	19080	190100					
200	-0.072	205	+0.046	205	+0.210 +0.130	200.016 200.070							20060	20070	20080	200100						
220	-0.072	225	+0.046	225	+0.210 +0.130	220.216 220.070							22060	22070	22080	220100						
250	-0.072	255	+0.052	255	+0.260 +0.170	250.222 250.070	0.294 0.070		2.465 2.415							25080	250100					
260	-0.081	265	+0.052	265	+0.260 +0.170	260.222 260.070	0.303 0.070								26080	260100						
280	-0.081	285	+0.052	285	+0.260 +0.170	280.222 280.070									28080	280100						
300	-0.081	305	+0.052	305	+0.260 +0.170	300.222 300.070									30080	300100						